

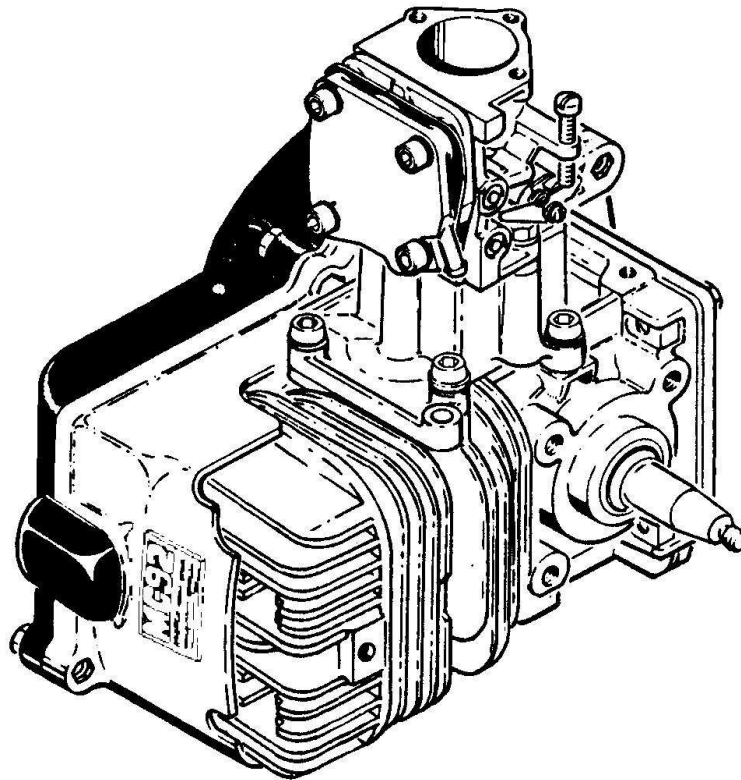
Kart Engine

Mc-92

Illustrated Parts List

Part No. 400165D
Serial No. Prefix 15-

September 1974
Price \$ 7.50



The following pages contain an illustrated parts list for the Mc-92 'Standard' type Kart Engine. Due to small differences between engines, it is important that the Serial Number of your kart engine be included whenever spare parts are ordered. This will assure receiving the proper parts from McCulloch Racing Corporation.

The McCulloch Racing Corporation reserves the right to modify or change replacement part numbers without (1) prior notification or (2) obligation to back-fit or supply back-fit components for units previously shipped from McCulloch Racing Corporation.

This document, logos and all illustrated figures are copyright © 2000-2002
McCulloch Racing Corporation. Las Vegas, Nevada, U.S.A.



<u>Figure</u>	<u>Description</u>	<u>Page #</u>
Figure 1.	Engine Assembly, Model Mc-92 Engine	2
Figure 2.	McCulloch Corp. Carburetor Assemblies	4
Figure 3.	Powerhead Assembly	6
	Oversize Piston & Accessory List	8

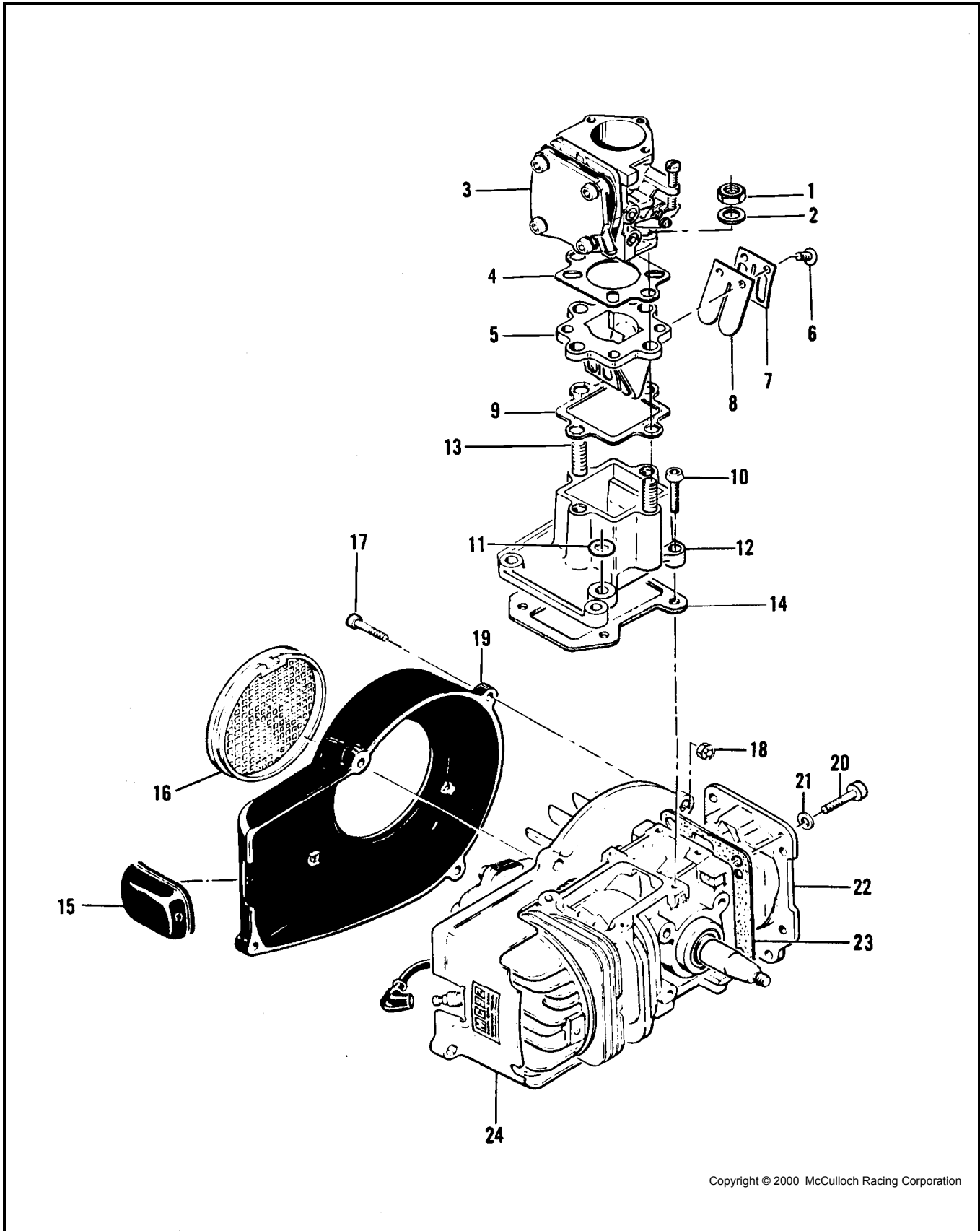
This Illustrated Parts List is Part No. 91077.

Mc-92

McCulloch Racing Engine

McCulloch Racing Corporation

P.O. Box 531351, Henderson, Nevada 89053-1351 U.S.A. Tel.: (702)
277-1894

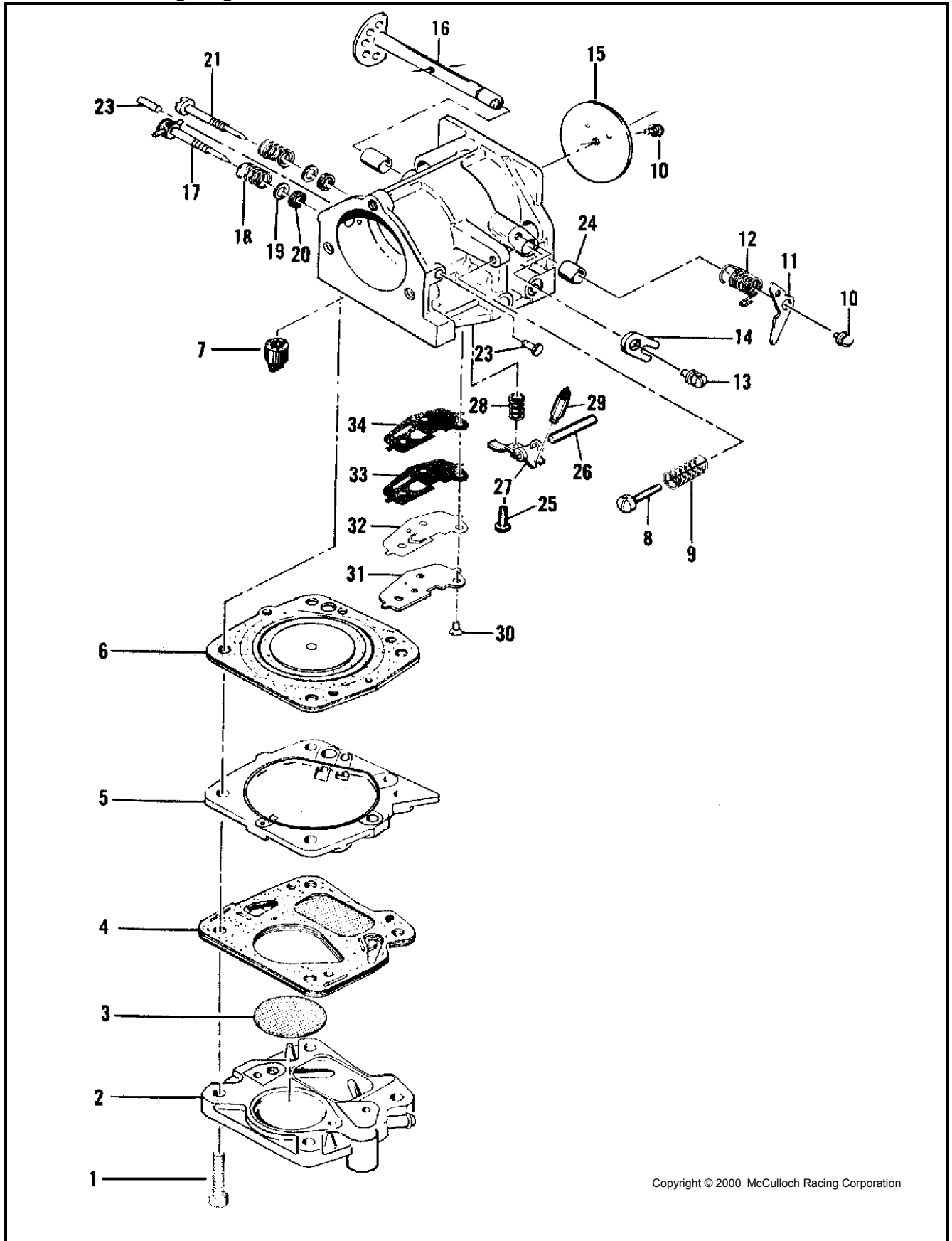


Copyright © 2000 McCulloch Racing Corporation

Figure 1. Engine Assembly, Model Mc-92 Engine

FIGURE 1. ENGINE ASSEMBLY, MODEL MC-92 ENGINE

Index No.	Part Number	Description	Units Per Assy.
1	100248	Nut - Hex.....	2
2	100153	Lockwasher - 1/4".....	2
3	91044	Carburetor Assy. (See Figure 2).....	1
4	65939	Gasket - Carburetor.....	1
5	68091	Valve Assy. - Reed.....	1
6	101987	----- Screw - Rd Hd.....	4
7	65904	----- Plate - Clamp.....	2
8	68074	----- Valve - Reed.....	2
9	68894	Gasket - Reed Block.....	1
10	110439	Screw - Skt Hd.....	4
11	103744	Washer - Sealing.....	1
12	68889	Adapter Assy. - Carburetor.....	1
13	47868	----- Stud - Adaptor.....	2
14	69526	Gasket - Adapter.....	1
15	86387	Cover Assy. - Spark Plug.....	1
16	87249	Guard - Flywheel.....	1
17	110439	Screw - Skt Hd.....	4
18	101326	Nut - Hex.....	2
19	88674	Fan Housing.....	1
20	105187	Screw - Skt Hd.....	4
21	13643	Washer - Special.....	4
22	67254	Cover - Crankcase Bottom.....	1
23	65654	Gasket - Cover.....	1
24		Power Unit Assy. (See Figure 3).....	1



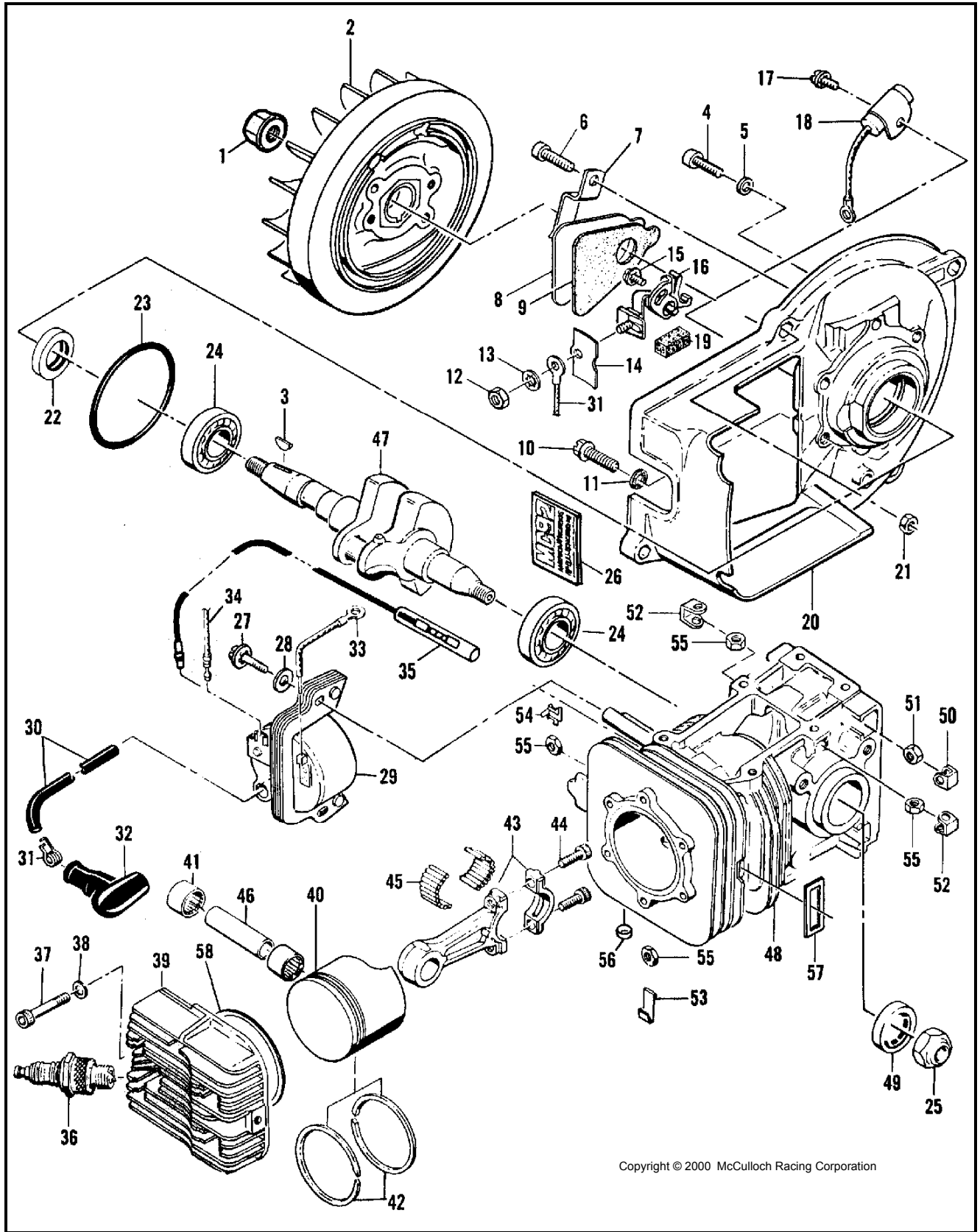
Copyright © 2000 McCulloch Racing Corporation

Figure 2. Carburetor Assy., Mc-92 Engine

FIGURE 2. CARBURETOR ASSEMBLY, MODEL 91044

Index No.	Part Number	Description	Units Per Assy.
	91044	Carburetor Assy. Model 91044 (BDC16)	1
1	91167	----- Screw – Skt Hd	4
2	84941	----- Body – Fuel Pump	1
3	48911*	----- Filter – Fuel	1
4	57274B*	----- Diaphragm Assy. – Fuel Pump	1
5	69170	----- Plate - Diaphragm	1
6	89888*	----- Diaphragm – Metering	1
7	53766R*	----- Valve – Check (Duckbill).....	1
8	55397	----- Screw – Idle Speed.....	1
9	51705	----- Spring – Idle Screw.....	1
10	104814	----- Screw – Pan Hd.....	2
11	50701A	----- Arm – Throttle Shaft.....	1
12	65935*	----- Spring – Throttle Return	1
13	110055	----- Screw – Fil Hd	1
14	55082	----- Clip – Throttle Shaft	1
15	65934	----- Plate - Throttle	1
16	65932	----- Shaft Assy. - Throttle	1
17	84940	----- Needle Assy. – High Speed Adjustment	1
18	67502	----- Spring - Needle.....	2
19	52937	----- Washer - Packing	2
20	88106*	----- Ring – Packing	2
21	84939	----- Needle Assy. – Idle Adjustment	1
22	101796	----- Pin – Choke Plate	1
23	48827	----- Plug – Choke shaft bore	2
24	55062A	----- Bushing - Body	2
25	104728	----- Screw – Lever Pin	1
26	104305	----- Pin – Lever	1
27	84317	----- Lever – Inlet	1
28	57172	----- Spring – Lever	1
29	83753	----- Needle – Inlet Valve.....	1
30	84942	----- Screw – Circuit Plate	3
31	84938	----- Plate – Circuit	1
32	84944*	----- Diaphragm – Check Valve.....	1
33	84945*	----- Gasket – Circuit Plate	1
34	84946*	----- Gasket – Circuit Plate	1

* Denotes the part is included in the carburetor rebuild kit, Part Number KIT-092R-C



Copyright © 2000 McCulloch Racing Corporation

Figure 3. Mc-92 Powerhead Assy.

Index No.	Part Number	Description	Units Per Assy.
1	110655	Nut – Hex	1
2	68280	Flywheel Assy.	1
3	103879	Key – Woodruff	1
4	110714	Screw – Skt Hd	3
5	24236	Washer - Special.....	3
6	110713	Screw – Skt Hd	1
7	50671	Retainer – Breaker Box Cover	1
8	50588A	Cover – Breaker Box.....	1
9	65584	Gasket – Breaker Box	1
10	55494	Screw - Assy. Sealing	2
11	55492	----- Washer – Sealing	2
12	100251	Nut – Hex	1
13	100057	Lockwasher	1
14	50381A	Insulator – Breaker Terminal.....	1
15	103672	Screw – Fil Hd (SEMS)	1
16	88806	Breaker Assy.....	1
17	103672	Screw – Fil Hd (SEMS)	1
18	85358	Condenser	1
19	50664	Felt – Breaker Box	1
20	57126A	Cover – Crankcase	1
21	101326	----- Nut - Hex	2
22	89335	----- Seal – Oil	1
23	104523	'O' Ring	1
24	100824	Bearing - Ball.....	2
25	86113	Locknut – Hex (L/H)	1
26	91078	Nameplate.....	1
27	110713	Screw – Skt Hd	2
28	83745	Washer - Special.....	2
29	86413	Coil & Lamination Assy.	1
30	50120	----- Wire – Assy. Sparkplug	1
31	55061	----- Connector	1
32	55060	----- Boot	1
33	101883	----- Wire – Assy. Ground.....	1
34	57225	Wire Assy. – Primary	1
35	86131	Wire Assy. – Kill Switch.....	1
36	84536	Spark Plug – 14mm 0.472" reach.....	1
37	104534	Screw – Skt Hd	6
38	24236	Washer - Special.....	6
39	89743	Head – Cylinder	1
40	68898	Piston Assy.	1
41	104519	----- Bearing – Needle	2
42	47767	Ring Set – Piston, 2.165" chrome	1
43	47903	Connecting Rod Assy.....	1
44	60210A	----- Screw – Skt Hd. Special	2
45	69891	----- Roller – Needle	24
46	69408	Pin – Piston	1
47	91085	Crankshaft.....	1
48	91040	Crankcase Assy. (Replace with 214544)	1
49	104432	----- Seal – Oil	1
50	18556A	----- Retainer – Nut	4
51	101143	----- Nut – Hex	4
52	28053	----- Retainer – Nut	2
53	57063	----- Retainer – Nut	4
54	104255	----- Retainer – Nut	2
55	101326	----- Nut – Hex	8
56	110685	----- Plug - Cup.....	3
57	83379	----- Gasket – Muffler	1
58	91073	----- Gasket – Cylinder Head	1

OVERSIZED PISTON ASSEMBLY AND ACCESSORIES

Part Number	Description
68898	Piston Assy. - +0.005 inch oversize
68897	Piston Assy. - +0.010 inch oversize
87940	Piston Assy. - +0.020 inch oversize
87938	Piston Assy. - +0.030 inch oversize
66790	Ring Set – Piston +0.005 inch oversize, chrome
47768	Ring Set – Piston +0.010 inch oversize, chrome
87935	Ring Set – Piston +0.020 inch oversize, chrome
87934	Ring Set – Piston +0.030 inch oversize, chrome
89286	Ring Set – Piston Standard size, steel
89132	Ring Set – Piston +0.005 inch oversize, steel
89133	Ring Set – Piston +0.010 inch oversize, steel
89134	Ring Set – Piston +0.020 inch oversize, steel
89135	Ring Set – Piston +0.030 inch oversize, steel
90390	Rod Assy. – Magnafluxed and Shotpeened
84498	Cylinder Head – High Compression
84916	Sparkplug – Champion L87R
84917	Sparkplug – Champion L84R
88137	Manifold Assy. – Sloper
86356	Kit – Carburetor, choke
86419	Tool – Timing Guide
13639A	Clutch, Drum, Bearing and Sprocket Assy. – 10 Tooth, #35 Chain
13638A	Clutch, Drum, Bearing and Sprocket Assy. – 11 Tooth, #35 Chain
13637A	Clutch, Drum, Bearing and Sprocket Assy. – 12 Tooth, #35 Chain
48736A	Drum, Bearing and Sprocket Assy. – 10 Tooth, #35 Chain
48734A	Drum, Bearing and Sprocket Assy. – 11 Tooth, #35 Chain
48714A	Drum, Bearing and Sprocket Assy. – 12 Tooth, #35 Chain
104460	-----Bearing – Clutch Drum
48737	-----Spacer – Sprocket
48637	Sprocket – 10 tooth #35 Chain
48638	Sprocket – 11 tooth #35 Chain
48639	Sprocket – 12 tooth #35 Chain
48712A	Clutch Assy. – Dry
48645	Header – Exhaust (Tuned)
14317	Kit – Muffler
48711D	Kit – Starter, Recoil
48663	Kit – Starter, Pawl
13178A	Kit – Engine Mounting
13598	Carburetor Inlet Stack

All line drawings and logos are Copyright ©2000-2002, McCulloch Racing Corporation, Las Vegas, Nevada, U.S.A. Any reproduction of this document, its line drawings, illustrations or logos without the express written consent of McCulloch Racing Corporation is illegal and is punishable under International Copyright Agreements. If you would like to reproduce this document for your own use, please contact McCulloch Racing Corp. by writing to:

McCulloch Racing Corp., Legal Department, P.O. Box 531351, Henderson, NV 89053-1351 U.S.A.

Or emailing to info@mccullochracing.com. McCulloch Racing Corp. is also the sole owner of the following copyrighted symbols and or logos:

