

Kart Engine

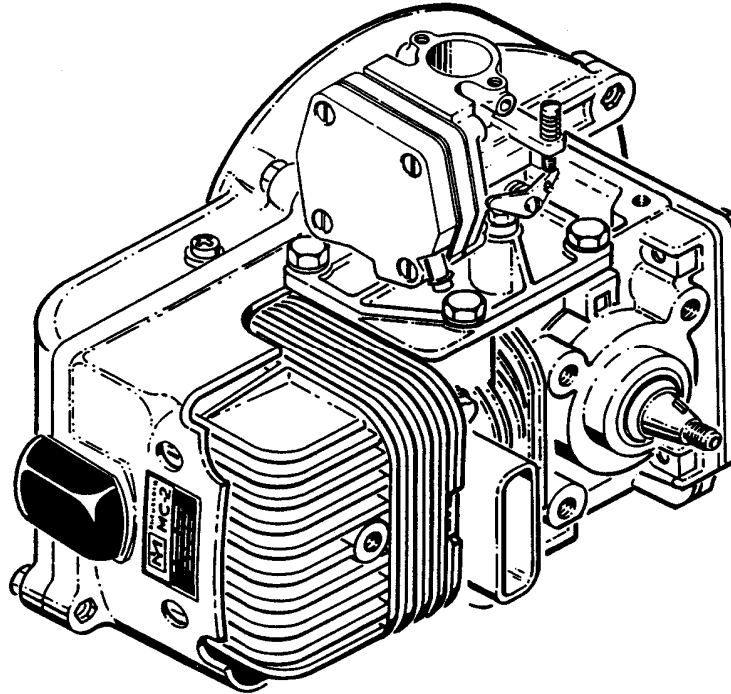
Mc-49

Illustrated Parts List

Part No. 63990

March 1966

Price \$ 7.50



The following pages contain an illustrated parts list for the Mc-49 'Standard' Limited type Kart Engine. Due to small differences between engines, it is important that the Serial Number of your kart engine be included whenever spare parts are ordered. This will assure receiving the proper parts from McCulloch Racing Corporation.

The McCulloch Racing Corporation reserves the right to modify or change replacement part numbers without (1) prior notification or (2) obligation to back-fit or supply back-fit components for units previously shipped from McCulloch Racing Corporation.

This document, logos and all illustrated figures are Copyright © 2000-2002 McCulloch Racing Corporation, Henderson, Nevada, U.S.A.

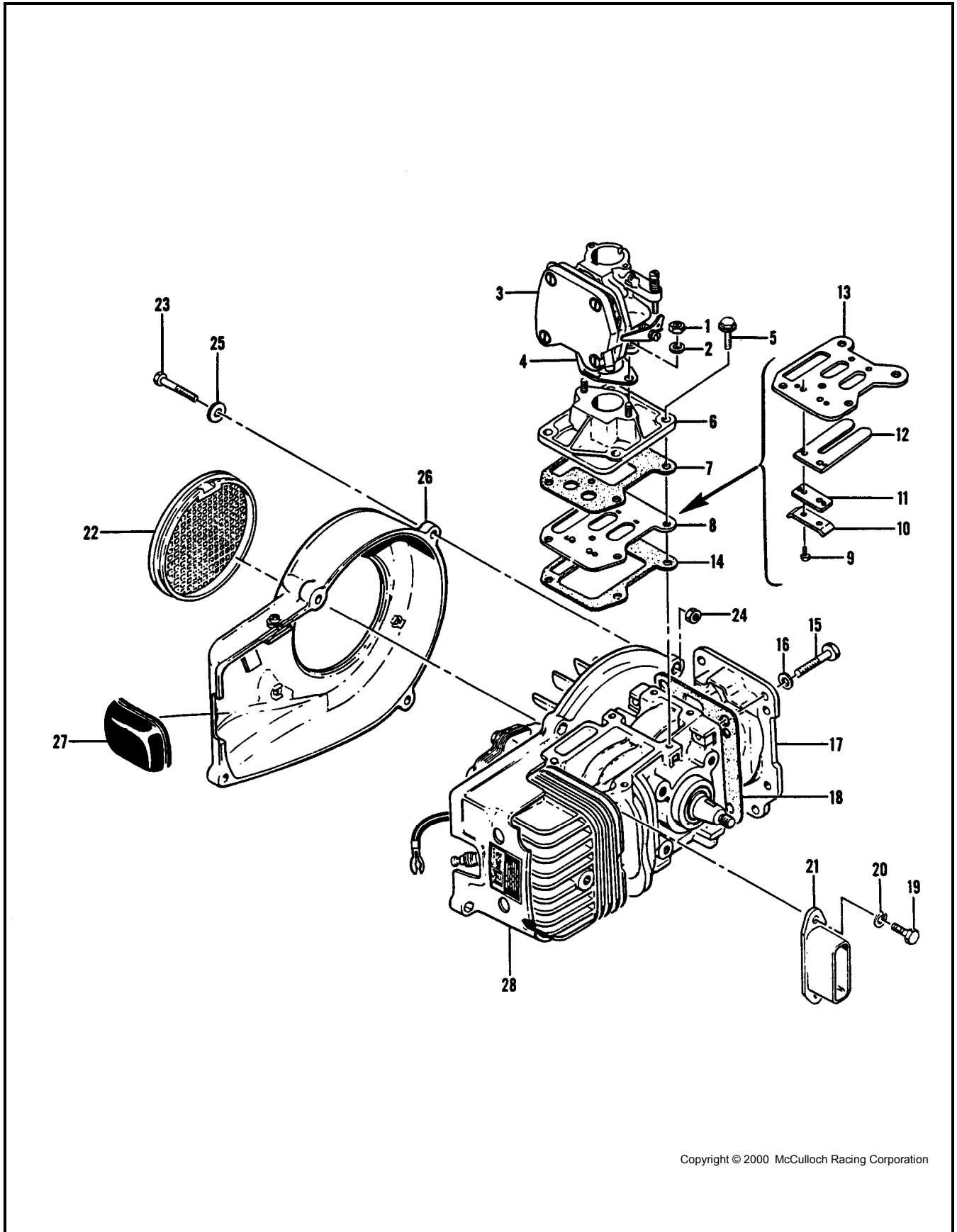


©

Figure	Description	Page #
Figure 1.	Engine Assembly, Model Mc-49 Engine	2
Figure 2.	McCulloch Carburetor	4
Figure 3.	Powerhead Assembly	6
	Accessories	8

This Illustrated Parts List is Part No. 64564.

McCulloch Racing Corporation
P.O. Box 531351, Henderson, Nevada 89053-1351 U.S.A.

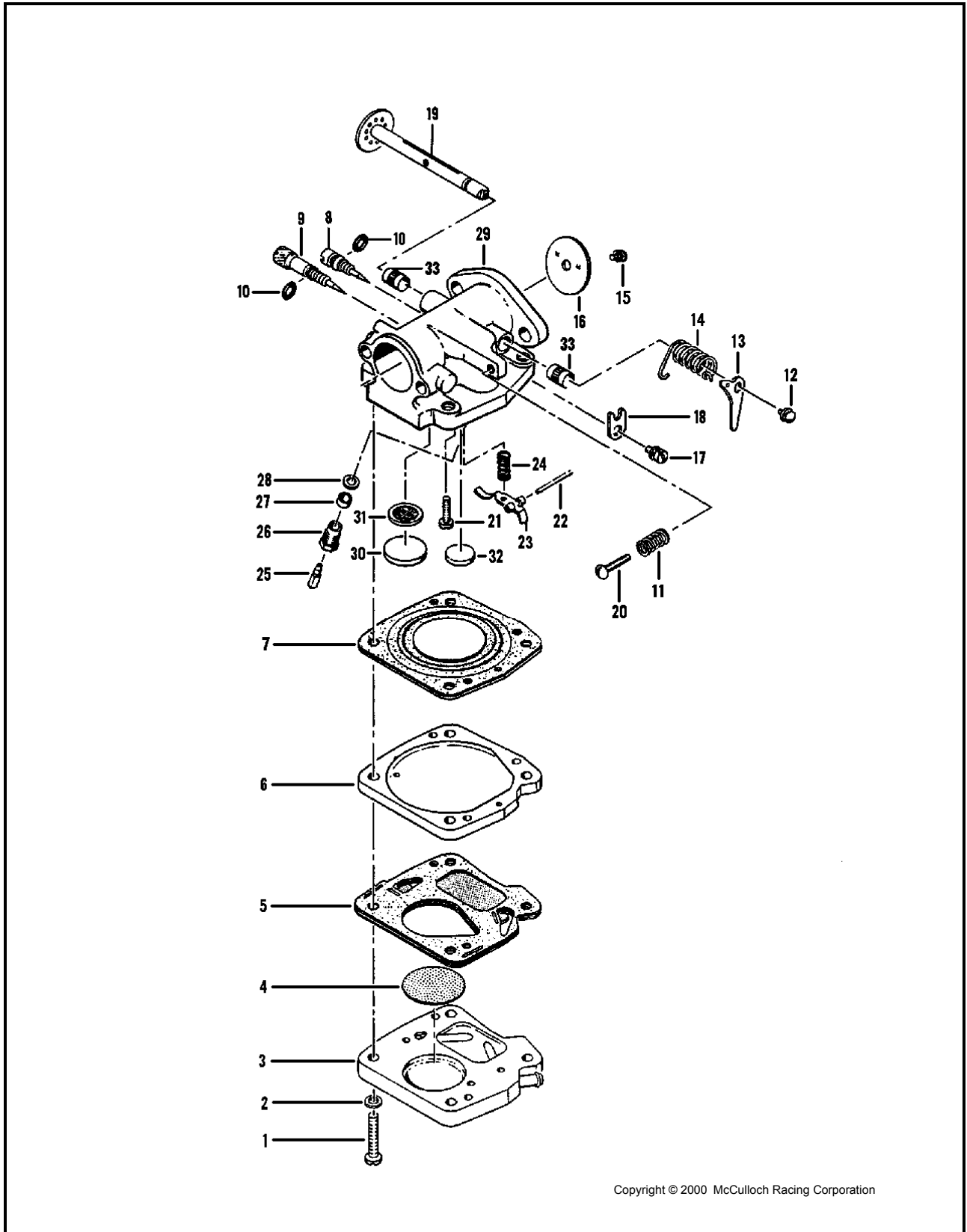


Copyright © 2000 McCulloch Racing Corporation

Figure 1. Engine Assembly, Model Mc-49 Engine

FIGURE 1. ENGINE ASSEMBLY, MODEL MC-49 ENGINE

Index No.	Part Number	Description	Units Per Assy.
1	100249	Nut – Hex ¼-28.....	2
2	100153	Washer – Lock ¼”.....	2
3	48542	McCulloch Carburetor Assy (See Figure 2)	1
4	55252B	Gasket - Carburetor.....	1
5	103947	Screw – Hex hd 10-24 x 1” lg (SEMS).....	4
6	48608A	Manifold Assy - Intake	1
7	48604A	Gasket – Intake Manifold.....	1
8		Reed Valve Plate Assy	1
9	104476	-----Screw – Hex hd 8-32 x 0.31” lg	2
10	51480	-----Lockplate.....	1
11	57173	-----Clamp – Reed	1
12	51809A	-----Valve – Reed	1
13	48791	----- Plate – Reed	1
14	48605	Gasket – Reed Valve.....	1
15	102128	Screw – Hex hd ¼-20 x 1 ¼” lg	4
16	100311	Washer – Plain ¼”	4
17	58139A	Bottom - Crankcase	1
18	48909	Gasket – Crankcase Bottom.....	1
19	102388	Screw – Hex hd 10-24 x 5/8” lg.....	2
20	103100	Lockwasher – No. 10	2
21	48609	Header - Exhaust.....	1
22	55615	Guard - Dirt.....	1
23	102761	Screw – Hex hd 10-24 x 7/8” lg	4
24	101191	Locknut – Hex 10-24	2
25	102189	Washer – Plain No. 10.....	4
26	48796B	Fan Housing Assy.....	1
27	57565	Cover Assy – Spark Plug.....	1
28		Powerhead Assy. (See Figure 3).....	1

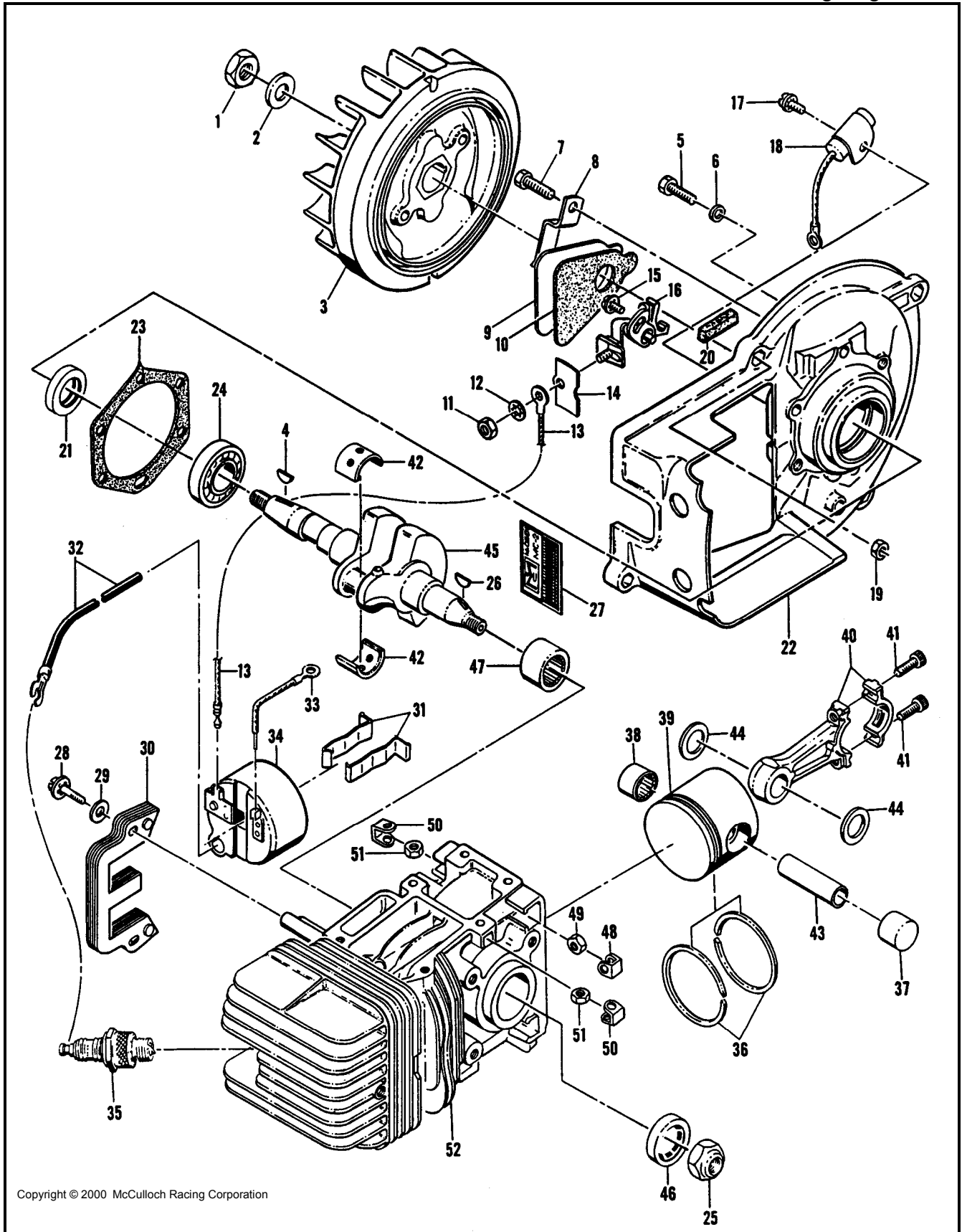


Copyright © 2000 McCulloch Racing Corporation

Figure 2. McCulloch Carburetor

FIGURE 2. McCulloch Carburetor

Index No.	Part Number	Description	Units Per Assy.
	48890B	McCulloch Carburetor Assy.	1
1	104520	-----Screw – Pan hd 10-24 x 7/8” lg	4
2	100002	-----Washer – Plain #10	4
3	48913	-----Body Assy. – Fuel Pump	1
4	48911	-----Filter – Fuel Pump	1
5	57274A	-----Diaphragm – Fuel Pump	1
6	57272A	-----Plate – Carburetor diaphragm	1
7	55067B	-----Diaphragm	1
8	55090	-----Needle – Metering	1
9	48810	-----Needle – Metering Main	1
10	104001	-----“O” Ring.....	2
11	51705	-----Spring – Idle Screw	1
12	104814	-----Screw – Pan hd 4-40 x 1/4” lg (SEMS).....	1
13	5701A	-----Arm – Throttle Shaft	1
14	48820	-----Spring – Throttle Return	1
15	104814	-----Screw – Pan hd 4-40 x 1/4” lg (SEMS).....	1
16	53309	-----Plate - Throttle.....	1
17	104570	-----Screw – Fil hd 8-32 x 1/4” lg (SEMS)	1
18	55082	-----Clip – Throttle shaft	1
19	48818A	-----Shaft – Throttle Assy.....	1
20	55397	-----Screw – Idle	1
21	104164	-----Screw – Pan hd 4-40 x 1/4” lg	1
22	104305	-----Pin – Inlet Lever	1
23	55688	-----Lever – Inlet Cover	1
24	57172	-----Spring – Inlet Lever	1
25	55476	-----Valve – Needle	1
26	55475	-----Body – Needle	1
27	55474	-----Seat – Needle	2
28	55689	-----Washer – Valve	1
29	53325	-----Carburetor Body Assy	1
30	104407	-----Plug – Expansion	1
31	55690B	-----Seal – Capillary	1
32	102758	-----Plug – Expansion.....	1
33	55062A	-----Bushing – Carburetor body.....	2



Copyright © 2000 McCulloch Racing Corporation

Figure 3. Powerhead Assembly (Crankcase)

Figure 3. Powerhead Assembly (Crankcase)

Index No.	Part Number	Description	Units Per Assy.
1	101179	Nut – Hex 7/16 - 20.....	1
2	101270	Washer – Special	1
3	48785A	Flywheel Assy.....	1
4	100199	Key – Woodruff #3.....	1
5	102289	Screw – Hex hd 10-24 x ¾” lg	4
6	102189	Washer – Plain #10	4
7	55494	Sealing Screw – Hex hd	2
8	50671	Retainer – Breaker Box Cover.....	1
9	50588	Breaker Box Cover	1
10	50589	Gasket – Breaker Box Cover	1
11	100251	Nut – Hex 8-32.....	1
12	100057	Lockwasher – Internal No. 8	1
13	57225	Wire Assy - Primary.....	1
14	50381A	Insulator- Breaker Terminal	1
15	103672	Screw – Fil hd 8-32 x ½” lg (SEMS)	1
16	50076A	Breaker Assy.	1
17	103672	Screw – Fil hd 8-32 x ½” lg (SEMS).....	1
18	50074	Condenser	1
	57126	Crankcase Cover Assy.	1
19	101326	-----Nut – Hex 10-24	2
20	54184	-----Wiper – Crankcase cover felt	1
21	50663	-----Oil Seal – Crankcase	1
22		-----Cover – Crankcase (Order Crankcase cover Assy #57126).....	1
23	51240	Gasket – Crankcase cover	1
24	100824	Bearing - Ball	1
25	103746	Nut – Flexlock 3/8-24.....	1
26	100199	Key – Woodruff #3.....	1
27	47675	Mc-2 Nameplate	1
28	101965	Screw – Hex hd 10-24 x 7/8” lg (SEMS).....	2
29	100003	Washer – Plain No. 10.....	2
30	51251	Lamination Assy.	1
31	51253	Retainer – Coil.....	2
	48975	Coil and Terminal Assy.....	1
32	48973	-----Wire Assy. – Spark Plug.....	1
33	101883	-----Wire Assy. – Ground	1
34		-----Coil Assy. (Order Coil and Terminal Assy. #48975).....	1
35		Plug – Spark 14-mm.....	1
	48518	Piston Assy.....	1
36	48978	-----Ring Set – Piston (Two rings – top ring chrome).....	1
37	104378	-----Bearing – Closed End	1
38	101206	-----Bearing – Open End.....	1
39		-----Piston (Order Piston Assy. #48518)	1
40	48543	Connecting Rod Assy.	1
41	104589	-----Screw – Skt hd 10-32 x 0.552” lg.	2
42	47672	-----Bushing – Floating.....	2
43	58132	Pin – Piston	1
44	51209	Washer – Thrust.....	2
45	48586	Crankshaft	1
	47661	Crankcase Assy.	1
46	104128	-----Oil Seal.....	1
47	104129	-----Bearing – Needle	1
48	18556A	-----Retainer – Nut.....	4
49	101143	-----Locknut – Hex ¼-20	4
50	28053	-----Retainer – Nut.....	2
51	101326	-----Nut – Hex 10-24	2
52		-----Crankcase (Order Crankcase Assy. #47661).....	1

ACCESSORIES

Part Number	Description
13639A	Clutch, Drum, Bearing and Sprocket Assy. – 10 Tooth, #35 Chain
13638A	Clutch, Drum, Bearing and Sprocket Assy. – 11 Tooth, #35 Chain
13637A	Clutch, Drum, Bearing and Sprocket Assy. – 12 Tooth, #35 Chain
48736A	Drum, Bearing and Sprocket Assy. – 10 Tooth, #35 Chain
48734A	Drum, Bearing and Sprocket Assy. – 11 Tooth, #35 Chain
48714A	Drum, Bearing and Sprocket Assy. – 12 Tooth, #35 Chain
104460	----- Bearing – Clutch Drum
48737	----- Spacer – Sprocket
48637	Sprocket – 10 tooth #35 Chain
48638	Sprocket – 11 tooth #35 Chain
48639	Sprocket – 12 tooth #35 Chain
48712A	Clutch Assy. – Dry
48645	Header – Exhaust (Tuned)
14317	Kit – Muffler
48711D	Kit – Starter, Recoil
48663	Kit – Starter, Pawl
13178A	Kit – Engine Mounting
13598	Carburetor Inlet Stack

All line drawings and logos are Copyright © 2000-2002, McCulloch Racing Corporation, Henderson, Nevada, U.S.A. Any reproduction of this document, its line drawings, illustrations or logos without the express written consent of McCulloch Racing Corporation is illegal and is punishable under International Copyright Agreements. If you would like to reproduce this document for your own use, please contact McCulloch Racing Corp. by writing to:

McCulloch Racing Corp., Legal Department, P.O. Box 531351, Henderson, NV 89053-1351 U.S.A.

Or emailing to info@mccullochracing.com. McCulloch Racing Corp. is the sole owner of the following copyrighted symbols and or logos:

