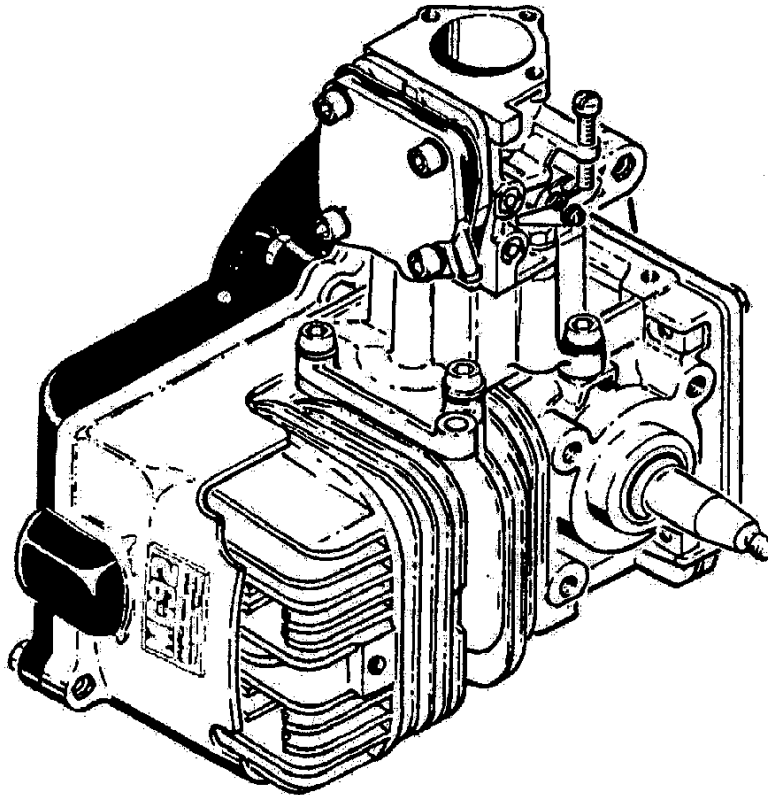


# Kart Engine

# Mc-92

Part No. 400165D

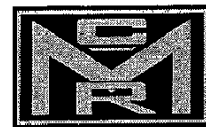
## Illustrated Parts List



The following pages contain an illustrated parts list for the Mc-92 Kart Engine. Due to small differences between engines, it is important that the Serial Number of your kart engine be included whenever spare parts are ordered. This will assure receiving the proper parts from McCulloch Racing Corporation.

The McCulloch Racing Corporation reserves the right to modify or change specifications without (1) prior notification or (2) obligation to back-fit or supply back-fit components for units previously shipped from McCulloch Racing Corporation.

This document, logos and all illustrated figures are copyright © 2000  
McCulloch Racing Corporation, Las Vegas, Nevada, U.S.A.



| Figure    | Description                           | Page # |
|-----------|---------------------------------------|--------|
| Figure 1. | Engine Assembly, Model Mc-92 Engine   | 2      |
| Figure 2. | McCulloch Corp. Carburetor Assemblies | 4      |
| Figure 3. | Powerhead Assembly                    | 6      |
|           | Overize Piston List                   | 7      |

## McCulloch Racing Corporation

2120 Ramrod Avenue, Suite 518, Henderson, Nevada 89014 U.S.A.

[www.mccullochracing.com](http://www.mccullochracing.com)

IPL Part No. 91007

# Mc-92

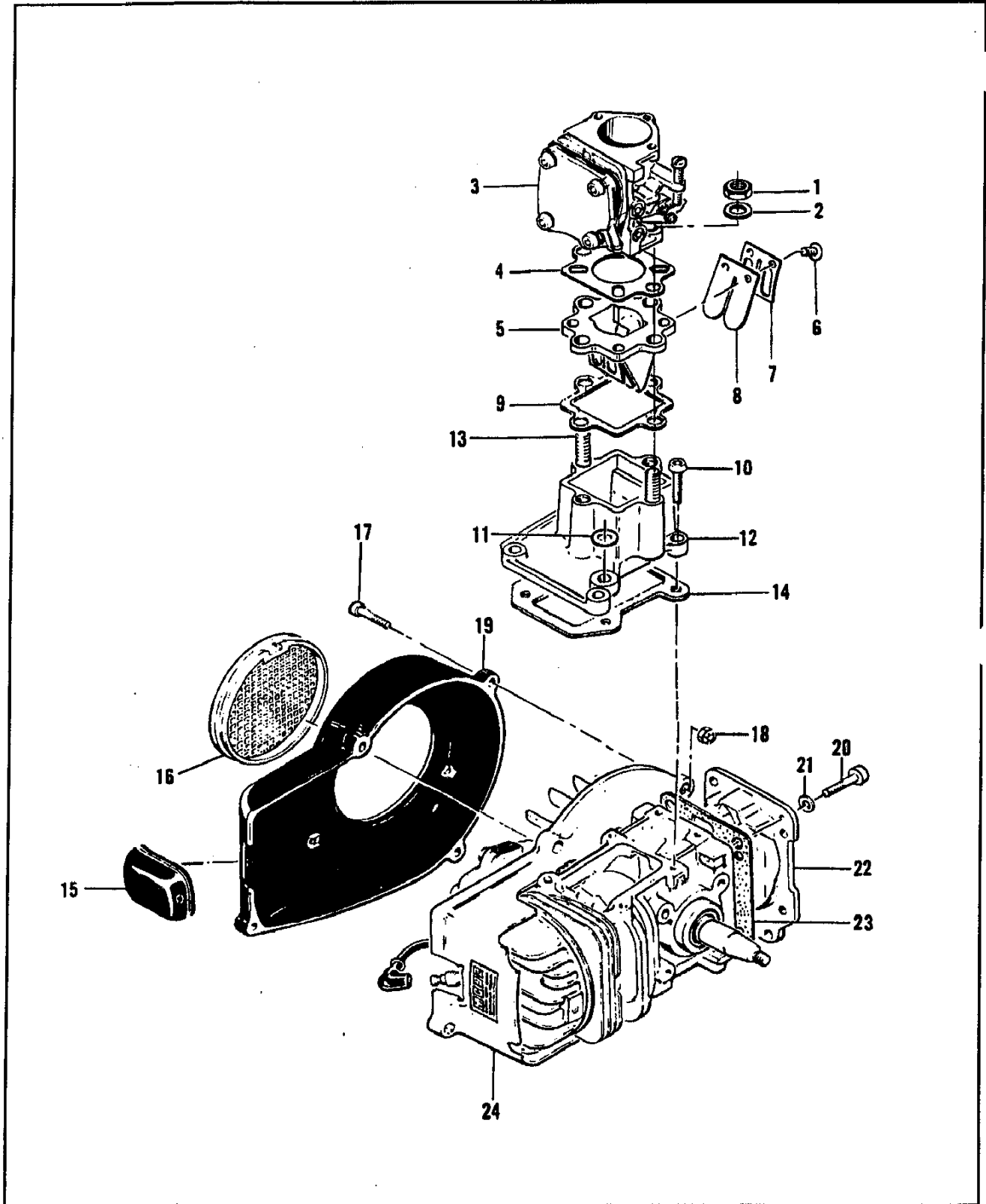


Figure 1. Engine Assembly, Model Mc-92 Engine

**MC92****FIGURE 1. GENERAL**

| Item No. | Part Number | Description                       | Units Per Assy |
|----------|-------------|-----------------------------------|----------------|
| 1        | 100248      | Nut - Hex 1/4-28                  | 2              |
| 2        | 100153      | Lockwasher - 1/4                  | 2              |
| 3        |             | Carburetor Assy<br>(See Figure 2) | 1              |
| 4        | 65939       | Gasket - Carburetor               | 1              |
| 5        | 68091       | Valve Assy - Reed block           | 1              |
| 6        | 101987      | . Screw - Rd hd 6-32 x<br>1/4     | 4              |
| 7        | 65904       | . Plate - Clamp                   | 2              |
| 8        | 68074       | . Valve - Reed                    | 2              |
| 9        | 68894       | Gasket - Reed block               | 1              |
| 10       | 110439      | Screw - Skt hd 10-24 x 1          | 4              |
| 11       | 103744      | Washer - Sealing                  | 1              |
| 12       | 68889       | Adapter Assy - Carburetor         | 1              |

| Item No. | Part Number | Description                       | Units Per Assy |
|----------|-------------|-----------------------------------|----------------|
| 13       | 47868       | . Stud - Adapter                  | 2              |
| 14       | 69526       | Gasket - Adapter                  | 1              |
| 15       | 86387       | Cover Assy - Sparkplug            | 1              |
| 16       | 87249       | Guard - Flywheel                  | 1              |
| 17       | 110439      | Screw - Skt hd 10-24 x 1          | 4              |
| 18       | 101326      | Nut - Hex 10-24                   | 2              |
| 19       | 88674       | Fan Housing                       | 1              |
| 20       | 105187      | Screw - Skt hd 1/4-20 x 1         | 4              |
| 21       | 13643       | Washer - Special                  | 4              |
| 22       | 67254       | Cover - Crankcase bottom          | 1              |
| 23       | 65654       | Gasket - Cover                    | 1              |
| 24       |             | Power Unit Assy<br>(See Figure 3) |                |

**ACCESSORIES**

| Part Number | Description                         |
|-------------|-------------------------------------|
| 68899       | Piston Assy, 2. 170                 |
| 68897       | Piston Assy, 2. 175                 |
| 87940       | Piston Assy, 2. 185                 |
| 87938       | Piston Assy, 2. 195                 |
| 66790       | Ring Set - Piston, chrome, 2. 170   |
| 47768       | Ring Set - Piston, chrome, 2. 175   |
| 87935       | Ring Set - Piston, chrome, 2. 185   |
| 87934       | Ring Set - Piston, chrome, 2. 195   |
| 89286       | Ring Set - Piston, steel, 2. 165    |
| 89132       | Ring Set - Piston, steel, 2. 170    |
| 89133       | Ring Set - Piston, steel, 2. 175    |
| 89134       | Ring Set - Piston, steel, 2. 185    |
| 89135       | Ring Set - Piston, steel, 2. 195    |
| 90390       | Rod Assy - Con, shot peened         |
| 84498       | Head - Cyl, high compression        |
| 84916       | Sparkplug - Champion, L87R          |
| 84917       | Sparkplug - Champion, L84R          |
| 88137       | Manifold Assy - Sloper              |
| 86356       | Kit - Carburetor choke              |
| 48609       | Header - Exhaust                    |
| 68959       | Kit - Tuned exhaust (vertical)      |
| 68960       | Kit - Tuned exhaust<br>(horizontal) |
| 86419       | Guide - Timing                      |
| 48711D      | Kit - Rewind starter                |
| 48662       | Kit - Engine mounting stud          |
| 83205       | Kit - Piston pin & bearing tool     |

| Part Number | Description  |
|-------------|--|
| 13639A      | Clutch, Drum, Bearing, &<br>Sprocket Assy - 10 tooth |
| 60315       | . Clutch Assy  |
| 48736A      | . Drum, Bearing, &<br>Sprocket Assy - 10 tooth       |
| 104460      | . . Bearing - Needle                                 |
| 48737       | . . Spacer - Sprocket                                |
| 13638A      | Clutch, Drum, Bearing, &<br>Sprocket Assy - 11 tooth |
| 60315       | . Clutch Assy  |
| 48734A      | . Drum, Bearing, &<br>Sprocket Assy - 11 tooth       |
| 104460      | . . Bearing - Needle                                 |
| 48737       | . . Spacer - Sprocket                                |
| 13637A      | Clutch, Drum, Bearing, &<br>Sprocket Assy - 12 tooth |
| 60315       | . Clutch Assy  |
| 48714A      | . Drum, Bearing, &<br>Sprocket Assy - 12 tooth       |
| 104460      | . . Bearing - Needle                                 |
| 48737       | . . Spacer - Sprocket                                |
| 48637       | Sprocket - 10 tooth                                  |
| 48638       | Sprocket - 11 tooth                                  |
| 48639       | Sprocket - 12 tooth                                  |
| 66793       | Decal - McCulloch powered                            |
| 66794       | Decal - McCulloch                                    |
| 85205       | Manual - Kart engine                                 |

# MC92

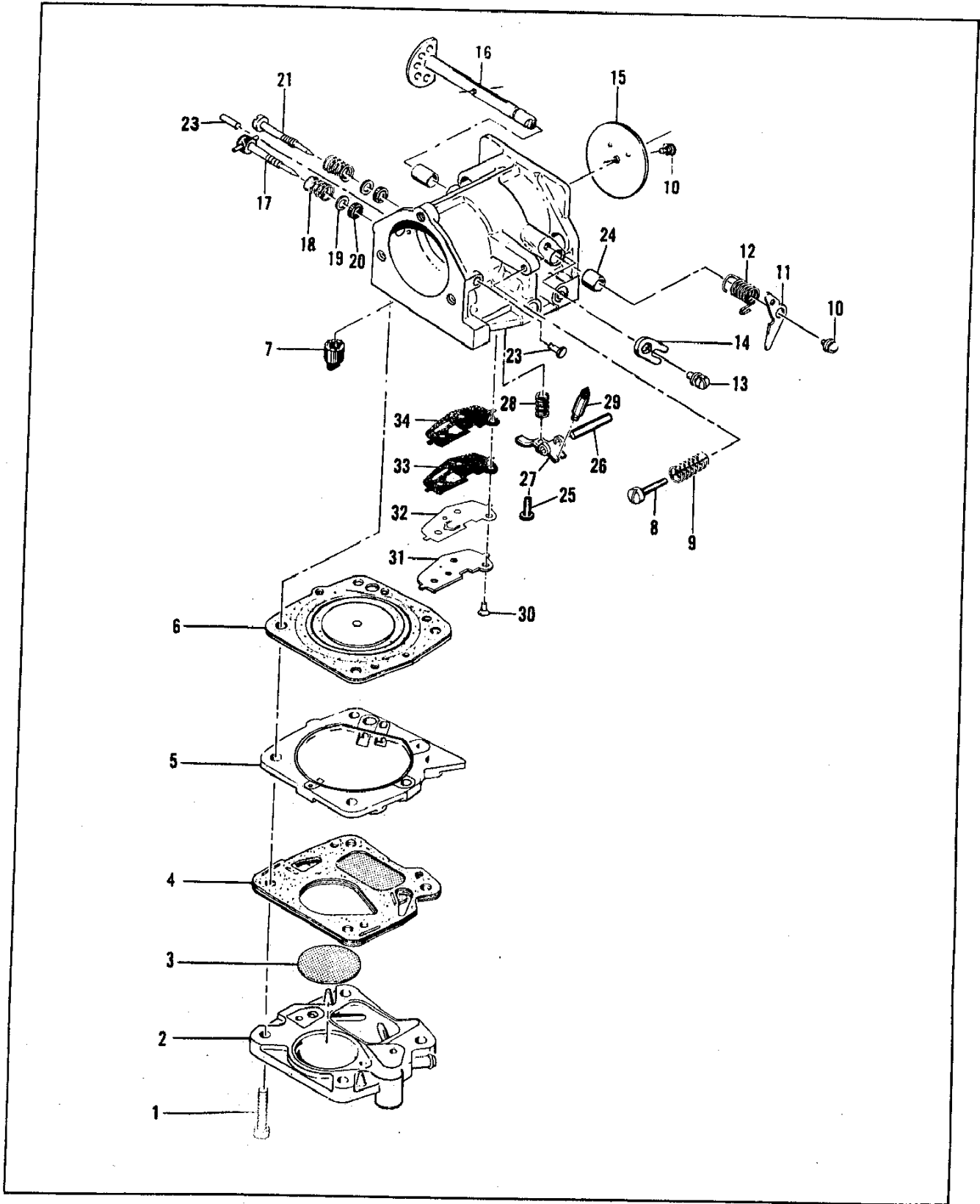


Figure 2. Carburetor Assembly

## FIGURE 2. CARBURETOR ASSEMBLY

| Item No. | Part Number | Description                              | Units Per Assy |
|----------|-------------|--|----------------|
|          | 91044       | Carburetor Assy                          | 1              |
| 1        | 91167       | . Screw - Skt hd<br>10-24 x 1            | 4              |
| 2        | 84941       | . Body - Fuel pump                       | 1              |
| 3        | 48911       | . Filter - Fuel                          | 1              |
| 4        | 57274B      | . Diaphragm Assy - Fuel pump             | 1              |
| 5        | 69170       | . Plate - Diaphragm                      | 1              |
| 6        | 89888       | . Diaphragm - Carburetor                 | 1              |
| 7        | 53766A      | . Valve - Check                          | 1              |
| 8        | 55397       | . Screw - Idle speed                     | 1              |
| 9        | 51705       | . Spring - Idle screw                    | 1              |
| 10       | 104814      | . Screw - Pan hd 4-40 x 1/4              | 2              |
| 11       | 50701A      | . Arm - Throttle shaft                   | 1              |
| 12       | 65935       | . Spring - Throttle return               | 1              |
| 13       | 110055      | . Screw - Fil hd 8-32 x 3/8              | 1              |
| 14       | 55082       | . Clip - Throttle shaft                  | 1              |
| 15       | 65934       | . Plate - Throttle                       | 1              |
| 16       | 65932       | . Shaft Assy - Throttle                  | 1              |
| 17       | 84940       | . Needle Assy - High speed<br>adjustment | 1              |

| Item No. | Part Number | Description                | Units Per Assy |
|----------|-------------|----------------------------|----------------|
| 18       | 67502       | . Spring - Needle          | 2              |
| 19       | 52937       | . Washer - Packing         | 2              |
| 20       | 88106       | . Ring - Packing           | 2              |
| 21       | 84939       | . Needle - Idle adjustment | 1              |
| 22       | 101796      | . Pin - Choke plate        | 1              |
| 23       | 48827       | . Plug - Choke shaft bore  | 2              |
| 24       | 55062A      | . Bushing - Body           | 2              |
| 25       | 104728      | . Screw - Lever pin        | 1              |
| 26       | 104305      | . Pin - Lever              | 1              |
| 27       | 84317       | . Lever - Inlet            | 1              |
| 28       | 57172       | . Spring - Lever           | 1              |
| 29       | 83753       | . Needle - Inlet valve     | 1              |
| 30       | 84942       | . Screw - Circuit plate    | 3              |
| 31       | 84938       | . Plate - Circuit          | 1              |
| 32       | 84944       | . Diaphragm - Check valve  | 1              |
| 33       | 84945       | . Gasket - Circuit plate   | 1              |
| 34       | 84946       | . Gasket - Circuit plate   | 1              |

# MC92

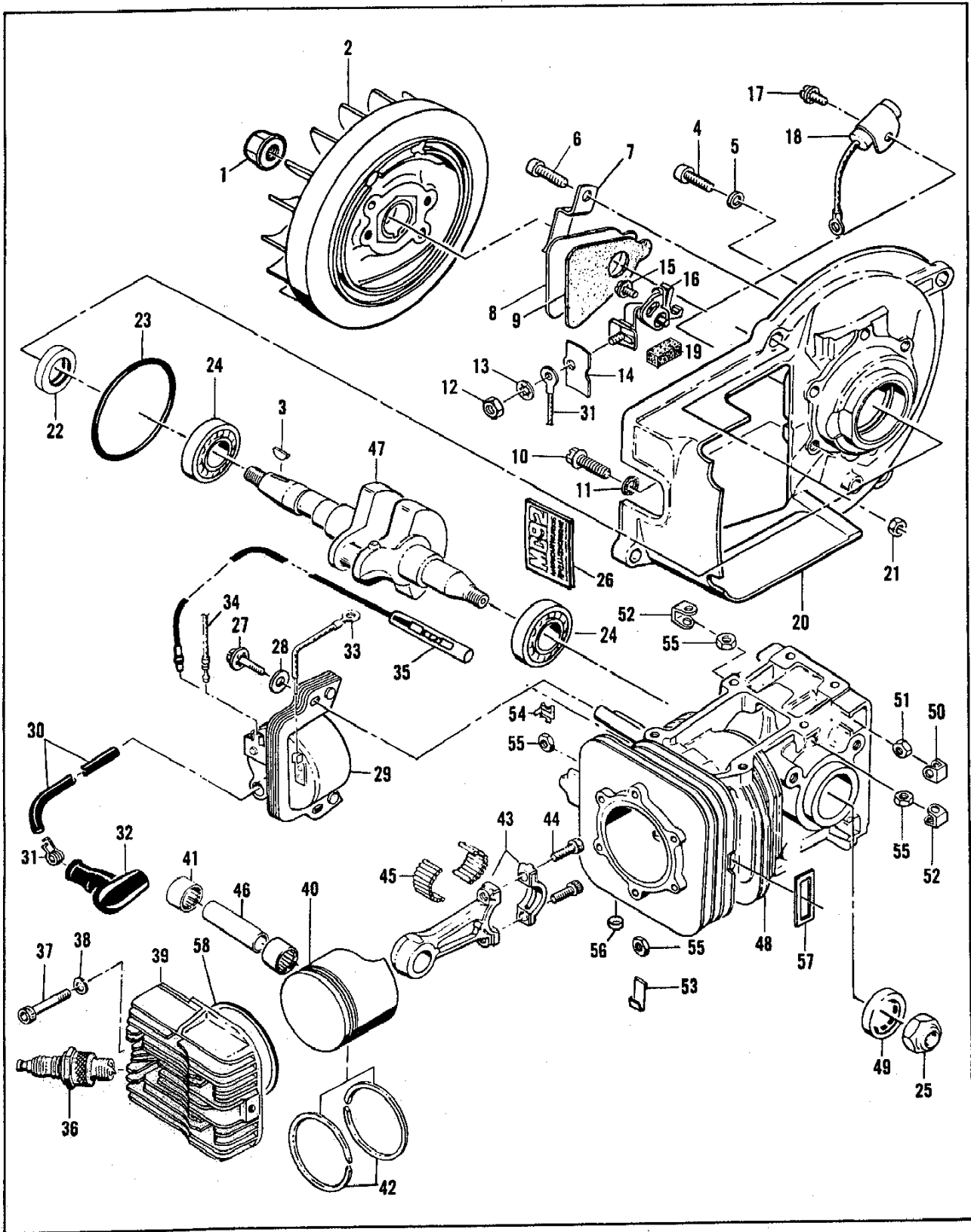


Figure 3. Powerhead Assembly

MC92

FIGURE 3. POWERHEAD ASSEMBLY

| Item No. | Part Number | Description                      | Units Per Assy | Item No. | Part Number | Description                     | Units Per Assy |
|----------|-------------|----------------------------------|----------------|----------|-------------|---------------------------------|----------------|
| 1        | 110655      | Nut - Hex 7/16-20                | 1              | 28       | 83745       | Washer - Special                | 2              |
| 2        | 68280       | Flywheel Assy                    | 1              | 29       | 86413       | Coil & Lamination Assy          | 1              |
| 3        | 103878      | Key - Woodruff                   | 1              | 30       | 50120       | Wire Assy - Sparkplug           | 1              |
| 4        | 110713      | Screw - Skt hd 10-24 x 3/4       | 3              | 31       | 55061       | Connector                       | 1              |
| 5        | 24236       | Washer - Special                 | 3              | 32       | 55060       | Boot                            | 1              |
| 6        | 110713      | Screw - Skt hd 10-24 x 7/8       | 1              | 33       | 101863      | Wire Assy - Ground              | 1              |
| 7        | 50671       | Retainer - Breaker box cover     | 1              | 34       | 57225       | Wire Assy - Primary             | 1              |
| 8        | 50588A      | Cover - Breaker box              | 1              | 35       | 86131       | Wire Assy - Kill switch         | 1              |
| 9        | 65584       | Gasket - Breaker box             | 1              | 36       | 84536       | Sparkplug - 14mm - 0.472 reach  | 1              |
| 10       | 55494       | Screw - Assy - Sealing           | 2              | 37       | 104534      | Screw - Skt hd 10-24 x 1-13/32  | 6              |
| 11       | 55492       | Washer - Sealing                 | 2              | 38       | 24236       | Washer - Special                | 6              |
| 12       | 100251      | Nut - Hex 8-32                   | 1              | 39       | 89743       | Head - Cylinder                 | 1              |
| 13       | 100057      | Lockwasher - #8                  | 1              | 40       | 68898       | Piston Assy                     | 1              |
| 14       | 50381A      | Insulator - Breaker terminal     | 1              | 41       | 104519      | Bearing - Needle                | 2              |
| 15       | 103672      | Screw - Fil hd 8-32 x 1/2 (SEMS) | 1              | 42       | 47767       | Ring Set - Piston, 2.165 chrome | 1              |
| 16       | 88806       | Breaker Assy                     | 1              | 43       | 47903       | Connecting Rod Assy             | 1              |
| 17       | 103672      | Screw - Fil hd 8-32 x 1/2 (SEMS) | 1              | 44       | 60210A      | Screw - Skt hd spcl             | 2              |
| 18       | 85358       | Condenser                        | 1              | 45       | 69891       | Roller - Needle                 | 24             |
| 19       | 50664       | Felt - Breaker box               | 1              | 46       | 69408       | Pin - Piston                    | 1              |
| 20       | 57126A      | Cover - Crankcase                | 1              | 47       | 91085       | Crankshaft                      | 1              |
| 21       | 101326      | Nut - Hex 10-24                  | 2              | 48       | 91040       | Crankcase Assy                  | 1              |
| 22       | 89335       | Seal - Oil                       | 1              | 49       | 104432      | Seal - Oil                      | 1              |
| 23       | 104523      | O Ring                           | 1              | 50       | 18556A      | Retainer - Nut                  | 4              |
| 24       | 100824      | Bearing - Ball                   | 2              | 51       | 101143      | Nut - Hex 1/4-20                | 4              |
| 25       | 86113       | Locknut - Hex 3/8-24 (LH)        | 1              | 52       | 28053       | Retainer - Nut                  | 2              |
| 26       | 91078       | Nameplate                        | 1              | 53       | 57063       | Retainer - Nut                  | 4              |
| 27       | 110713      | Screw - Skt hd 10-24 x 7/8       | 2              | 54       | 104255      | Retainer - Nut                  | 2              |
|          |             |                                  |                | 55       | 101326      | Nut - Hex 10-24                 | 8              |
|          |             |                                  |                | 56       | 110885      | Plug - Cup                      | 3              |
|          |             |                                  |                | 57       | 83379       | Gasket - Muffler                | 1              |
|          |             |                                  |                | 58       | 91073       | Gasket - Cylinder head          | 1              |

7

*The information contained in this Master Illustrated Parts List is based on the original Parts Lists of the manufacturer, engineering records and the Master Parts Price List and such, is accurate to the best of our knowledge.*

Each kart engine model gives a code letter. Whenever the code letter appears in the right hand column, the part is used on the engines of the model for which the code letter stands. Where the word (All) appears, this indicates that that particular item number is used on all versions of the engine.

Names of parts have been checked and made to agree with the names given in the Master Parts Price List of McCulloch Racing Corporation, except in a very few cases where additional nomenclature was required.

The illustrations of the individual parts do not necessarily depict all of the differences between parts with the same item number, because the illustrations would be too complicated for use if they did. Instead, the illustration shows a representative part for each item number.



## McCULLOCH RACING

McCulloch Racing Corporation • 2120 Ramrod Ave., Ste. 518 • Henderson, NV 89014  
Tel.: (702) 480-2052 • FAX: (702) 617-4600 • Email: [McCullochRacing@yahoo.com](mailto:McCullochRacing@yahoo.com)

The MC93 Engine is no longer available.  
 However, Griffith has most of the replacement parts in this catalog.

# MC93 Kart Engine

## ILLUSTRATED PARTS LIST

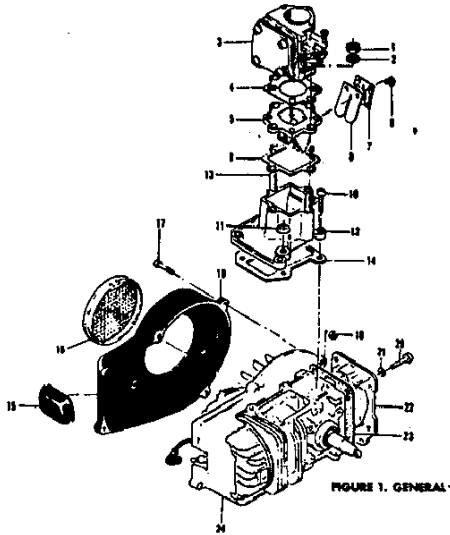


FIGURE 1. GENERAL

| Item No. | Part Number | Description                       | Units Per Assy |
|----------|-------------|-----------------------------------|----------------|
| 1        | 100248      | Nut - Hex 1/4-28                  | 2              |
| 2        | 100153      | Lockwasher - 1/4                  | 2              |
| 3        |             | Carburetor Assy<br>(See Figure 2) | 1              |
| 4        | 65939       | Gasket - Carburetor               | 1              |
| 5        | 88091       | Valve Assy - Reed block           | 1              |
| 6        | 101987      | Screw - Rd hd 6-32 x 1/4          | 4              |
| 7        | 65904       | Plate - Clamp                     | 2              |
| 8        | 68074       | Valve - Reed                      | 2              |
| 9        | 68894       | Gasket - Reed block               | 1              |
| 10       | 110439      | Screw - Skt hd 10-24 x 1          | 4              |
| 11       | 103744      | Washer - Sealing                  | 1              |
| 12       | 68889       | Adapter Assy - Carburetor         | 1              |
| 13       | 47868       | Stud - Adapter                    | 2              |
| 14       | 69526       | Gasket - Adapter                  | 1              |
| 15       | 86387       | Cover Assy - Sparkplug            | 1              |
| 16       | 87249       | Guard - Flywheel                  | 1              |
| 17       | 110439      | Screw - Skt hd 10-24 x 1          | 4              |
| 18       | 101328      | Nut - Hex 10-24                   | 2              |
| 19       | 88674       | Fan Housing                       | 1              |
| 20       | 105187      | Screw - Skt hd 1/4-20 x 1         | 4              |
| 21       | 13643       | Washer - Special                  | 4              |
| 22       | 67254       | Cover - Crankcase bottom          | 1              |
| 23       | 65654       | Gasket - Cover                    | 1              |
| 24       |             | Power Unit Assy<br>(See Figure 3) |                |

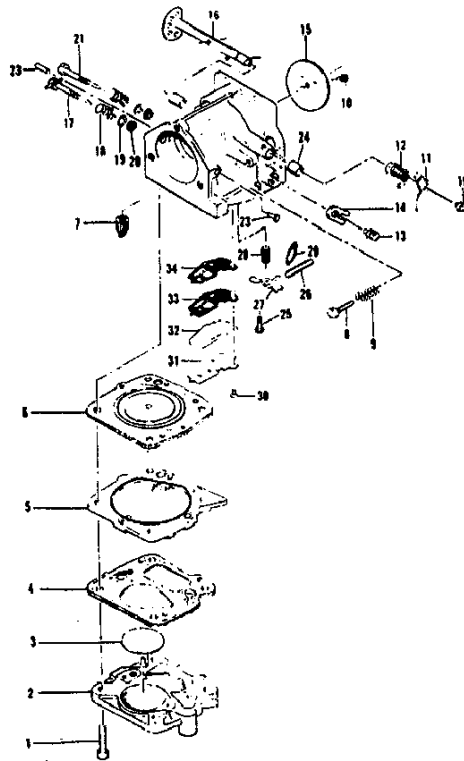


FIGURE 2. CARBURETOR ASSEMBLY

| Item No. | Part Number | Description                         | Units Per Assy |
|----------|-------------|-------------------------------------|----------------|
|          | 91044       | Carburetor Assy                     | 1              |
| 1        | 91167       | Screw - Skt hd 10-24 x 1            | 4              |
| 2        | 84941       | Body - Fuel pump                    | 1              |
| 3        | 48911       | Filter - Fuel                       | 1              |
| 4        | 57274B      | Diaphragm Assy - Fuel pump          | 1              |
| 5        | 69170       | Plate - Diaphragm                   | 1              |
| 6        | 89888       | Diaphragm - Carburetor              | 1              |
| 7        | 53766A      | Valve - Check                       | 1              |
| 8        | 55397       | Screw - Idle speed                  | 1              |
| 9        | 51705       | Spring - Idle screw                 | 1              |
| 10       | 104814      | Screw - Pan hd 4-40 x 1/4           | 2              |
| 11       | 50701A      | Arm - Throttle shaft                | 1              |
| 12       | 65935       | Spring - Throttle return            | 1              |
| 13       | 110055      | Screw - Fil hd 8-32 x 3/8           | 1              |
| 14       | 55082       | Clip - Throttle shaft               | 1              |
| 15       | 65934       | Plate - Throttle                    | 1              |
| 16       | 65932       | Shaft Assy - Throttle               | 1              |
| 17       | 84940       | Needle Assy - High speed adjustment | 1              |
| 18       | 67502       | Spring - Needle                     | 2              |
| 19       | 52937       | Washer - Packing                    | 2              |
| 20       | 88106       | Ring - Packing                      | 2              |
| 21       | 84939       | Needle - Idle adjustment            | 1              |
| 23       | 48827       | Plug - Choke shaft bore             | 2              |
| 24       | 55062A      | Bushing - Body                      | 2              |
| 25       | 104728      | Screw - Lever pin                   | 1              |
| 26       | 104305      | Pin - Lever                         | 1              |
| 27       | 84317       | Lever - Inlet                       | 1              |
| 28       | 57172       | Spring - Lever                      | 1              |
| 29       | 83753       | Needle - Inlet valve                | 1              |
| 30       | 84942       | Screw - Circuit plate               | 3              |
| 31       | 84938       | Plate - Circuit                     | 1              |
| 32       | 84944       | Diaphragm - Check valve             | 1              |
| 33       | 84945       | Gasket - Circuit plate              | 1              |
| 34       | 84946       | Gasket - Circuit plate              | 1              |



# MC93

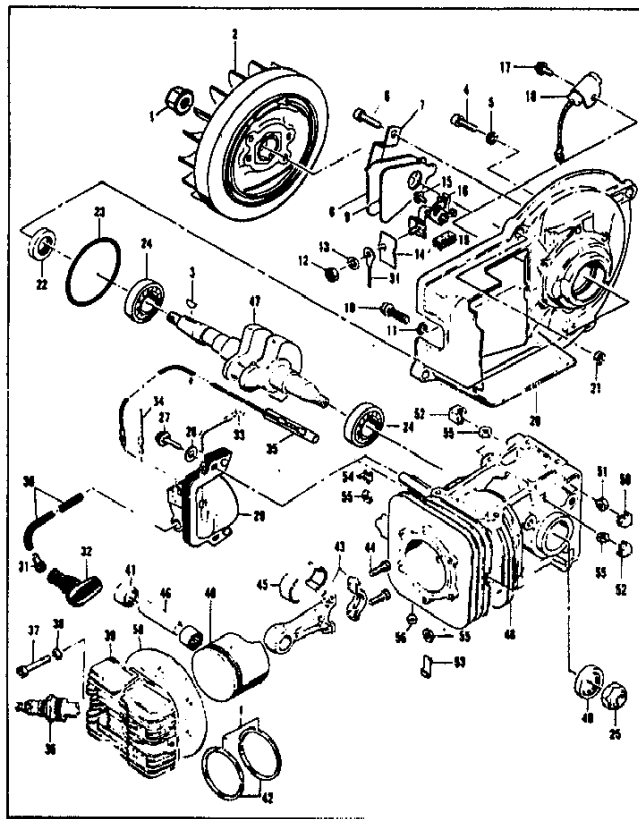


FIGURE 3. POWERHEAD ASSEMBLY

| Item No. | Part Number | Description                  | Units Per Assy. | Item No. | Part Number | Description                     | Units Per Assy. |
|----------|-------------|------------------------------|-----------------|----------|-------------|---------------------------------|-----------------|
| 1        | 110635      | Nut - Hex 7/16-20            | 1               | 28       | 83745       | Washer - Special                | 2               |
| 2        | 68280       | Flywheel Assy.               | 1               | 29       | 86413       | Coil & Lamination Assy          | 1               |
| 3        | 100106      | Key - Woodruff               | 1               | 30       | 50120       | Wire Assy - Sparkplug           | 1               |
| 4        | 110713      | Screw - Skt hd 10-24 x 3/4   | 3               | 31       | 55061       | Connector                       | 1               |
| 5        | 24236       | Washer - Special 10-24 x 7/8 | 3               | 32       | 55060       | Boot                            | 1               |
| 6        | 110713      | Screw - Skt hd 10-24 x 7/8   | 1               | 33       | 101883      | Wire Assy - Ground              | 1               |
| 7        | 50671       | Retainer - Breaker Box Cover | 1               | 34       | 57225       | Wire Assy - Primary             | 1               |
| 8        | 50588A      | Cover - Breaker Box          | 1               | 35       | 86131       | Wire Assy - Kill Switch         | 1               |
| 9        | 65564       | Gasket - Breaker Box         | 1               | 36       | 84536       | Sparkplug - 14 mm - 0.472 reach | 1               |
| 10       | 55494       | Screw - Assy - Sealing       | 2               | 37       | 104531      | Screw - Skt hd 10-24 x 1-13/32  | 6               |
| 11       | 55492       | Washer - Sealing             | 2               | 38       | 24236       | Washer - Special                | 6               |
| 12       | 100251      | Nut - Hex 8-32               | 1               | 39       | 89743       | Head - Cylinder                 | 1               |
| 13       | 100057      | Lockwasher - #8              | 1               | 40       | 68898       | Piston Assy                     | 1               |
| 14       | 50381A      | Insulator - Breaker Terminal | 1               | 41       | 104519      | Bearing - Needle                | 2               |
| 15       | 110338      | Screw                        | 1               | 42       | 47767       | Ring Set - Piston, 2.165 Chrome | 1               |
| 16       | 88806       | Breaker Assy                 | 1               | 43       | 47903       | Connecting Rod Assy             | 1               |
| 17       | 110338      | Screw                        | 1               | 44       | 60210A      | Screw - Skt hd wpc              | 2               |
| 18       | 85358       | Condenser                    | 1               | 45       | 60891X      | Roller - Healdle                | 24              |
| 19       | 50664       | Felt - Breaker Box           | 1               | 46       | 69408       | Pin - Piston                    | 1               |
| 20       | 57126A      | Cover - Crankcase            | 1               | 47       | 91085A      | Crankshaft                      | 1               |
| 21       | 101326      | Nut - Hex 10-24              | 2               | 48       | 92909       | Crankcase Assy                  | 1               |
| 22       | 89335       | Seal - Oil                   | 1               | 49       | 104432      | Seal - Oil                      | 1               |
| 23       | 104521      | O Ring                       | 1               | 50       | 18556A      | Retainer - Nut                  | 4               |
| 24       | 100824      | Bearing - Ball               | 2               | 51       | 101143      | Nut - Hex 1/4-20                | 4               |
| 25       | 86113       | Locknut - Hex 3/8-24 (LN)    | 1               | 52       | 28053       | Retainer - Nut                  | 2               |
| 27       | 110713      | Screw - Skt hd 10-24 x 7/8   | 2               | 53       | 57063       | Retainer - Nut                  | 4               |
|          |             |                              |                 | 54       | 104255      | Retainer - Nut                  | 2               |
|          |             |                              |                 | 55       | 101326      | Nut - Hex 10-24                 | 8               |
|          |             |                              |                 | 56       | 110685      | Plug - Cup                      | 3               |
|          |             |                              |                 | 58       | 65577       | Gasket - Cylinder hd            | 1               |

ACCESSORIES

|       |                                  |        |                                 |
|-------|----------------------------------|--------|---------------------------------|
| 68899 | Piston Assy, 2.170               | 89134  | Ring Set - Piston, Steel, 2.185 |
| 68897 | Piston Assy, 2.175               | 89135  | Ring Set - Piston, Steel, 2.195 |
| 87940 | Piston Assy, 2.185               | 90390  | Mod Assy - Con, Shot Peened     |
| 87938 | Piston Assy, 2.195               | 84498  | Head - Cyl, high compression    |
| 66790 | Ring Set - Piston, Chrome, 2.170 | 82137  | Manifold Assy - Sloper          |
| 47768 | Ring Set - Piston, Chrome, 2.175 | 86356  | Kit - Carburetor Choke          |
| 87935 | Ring Set - Piston, Chrome, 2.185 | 86419  | Guide - Timing                  |
| 87934 | Ring Set - Piston, Chrome, 2.185 | 48711D | Kit - Rewind Starter            |
| 89286 | Ring Set - Piston, Steel, 2.165  | 83205  | Kit - Piston Pin & Bearing Tool |
| 89132 | Ring Set - Piston, Steel, 2.170  | 85205  | Manual - Kart Engine            |
| 89133 | Ring Set - Piston, Steel, 2.175  |        |                                 |

# ENGINES & PARTS

## MC93 Kart Engine

| Item No. | Part Number | Description                       | Units Per Assy. |
|----------|-------------|-----------------------------------|-----------------|
| 1        | 100248      | Nut-Hex 1/4-28                    | 2               |
| 2        | 100153      | Lockwasher - 1/4                  | 2               |
| 3        |             | Carburetor Assy<br>(See Figure 2) | 1               |
| 4        | 65939       | Gasket - Carburetor               | 1               |
| 5        | 68091       | Valve Assy - Reed Block           | 1               |
| 6        | 101987      | Screw - Rd hd 6-32 x 1/4          | 4               |
| 7        | 65904       | Plate - Clamp                     | 2               |
| 8        | 68074       | Valve - Reed                      | 2               |
| 9        | 68894       | Gasket - Reed block               | 1               |
| 10       | 110439      | Screw - Skt hd 10-24x1            | 4               |
| 11       | 103744      | Washer - Sealing                  | 1               |
| 12       | 68889       | Adapter Assy-Carb                 | 1               |
| 13       | 47868       | Stud - Adapter                    | 2               |
| 14       | 69526       | Gasket - Adapter                  | 1               |
| 15       | 86387       | Cover Assy - Sparkplug            | 1               |
| 16       | 87249       | Guard - Flywheel                  | 1               |
| 17       | 110439      | Screw - Skt hd 10-24x1            | 4               |
| 18       | 101326      | Nut - Hex 10-24                   | 2               |
| 19       | 86674       | Fan Housing                       | 1               |
| 20       | 105187      | Screw - Skt Hd 1/4-20x1           | 4               |
| 21       | 12643       | Washer - Special                  | 4               |
| 22       | 67254       | Cover-Crankcase bott              | 1               |
| 23       | 65654       | Gasket - Cover                    | 1               |
| 24       |             | Power Unit Assy<br>(see Figure 3) | 1               |

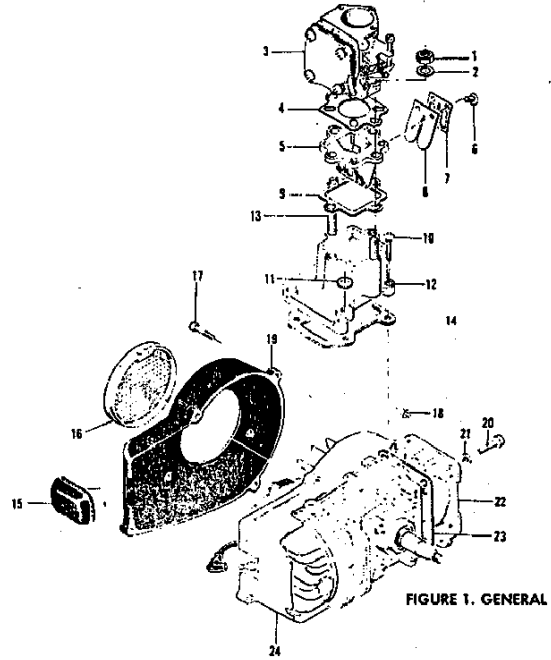


FIGURE 1. GENERAL

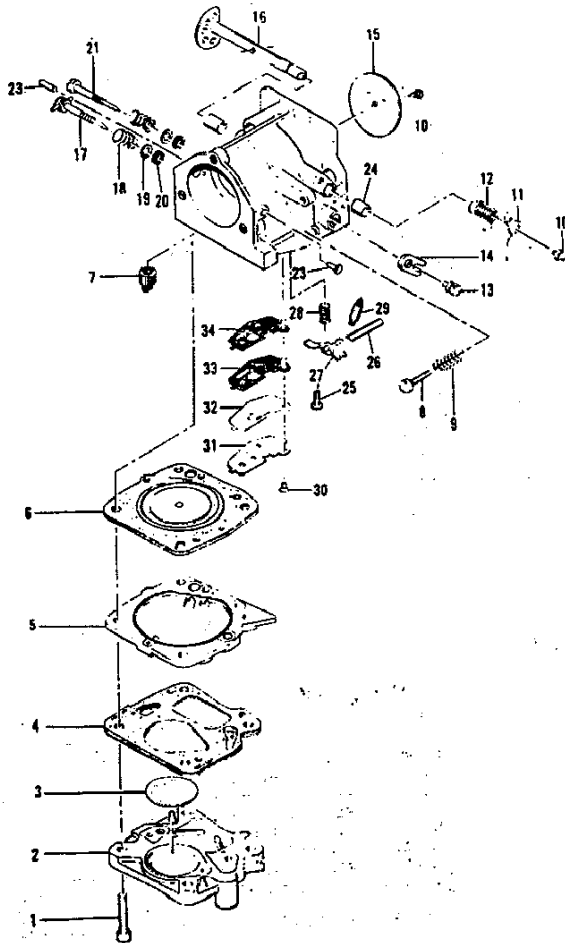


FIGURE 2. CARBURETOR ASSEMBLY

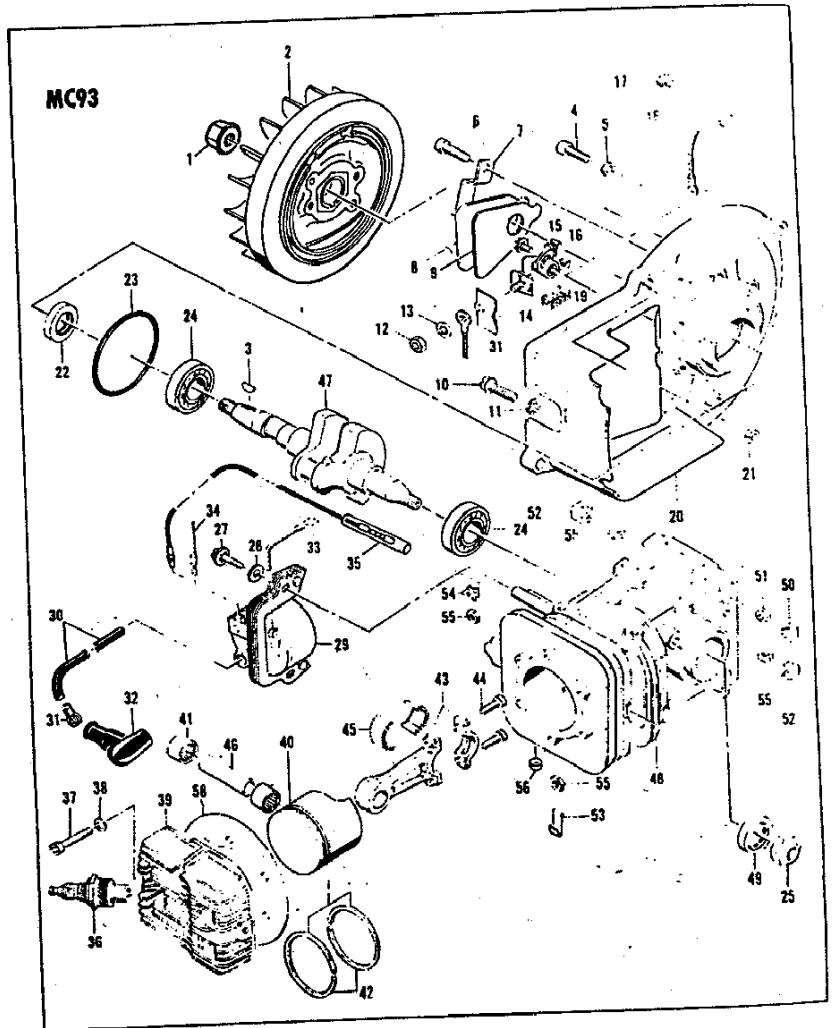
| Item Number | Part Number | Description                       | Units Per Assy. |
|-------------|-------------|-----------------------------------|-----------------|
| 1           | 91044       | Carburetor Assy                   | 1               |
| 2           | 91167       | Screw-Skt hd 10-24x1              | 4               |
| 3           | 84941       | Body-Fuel pump                    | 1               |
| 4           | 48911       | Filter-Fuel                       | 1               |
| 5           | 57274B      | Diaphragm Assy. Fuel pump         | 1               |
| 6           | 69170       | Plate-Diaphragm                   | 1               |
| 7           | 89888       | Diaphragm-Carburetor              | 1               |
| 8           | 53766A      | Valve-Check                       | 1               |
| 9           | 55397       | Screw-Idle speed                  | 1               |
| 10          | 51705       | Spring-Idle screw                 | 1               |
| 11          | 104814      | Screw-Pan hd 4-40x1/4             | 2               |
| 12          | 50701A      | Arm-Throttle shaft                | 1               |
| 13          | 65935       | Spring-Throttle return            | 1               |
| 14          | 110055      | Screw-Fil hd 8-32x3/8             | 1               |
| 15          | 55082       | Clip-Throttle shaft               | 1               |
| 16          | 65934       | Plate-Throttle                    | 1               |
| 17          | 65932       | Shaft Assy-Throttle               | 1               |
| 18          | 84940       | Needle Assy-high speed adjustment | 1               |
| 19          | 67502       | Spring-Needle                     | 2               |
| 20          | 52937       | Washer-Packing                    | 2               |
| 21          | 88106       | Ring-Packing                      | 2               |
| 22          | 84939       | Needle-Idle adjustment            | 1               |
| 23          | 48827       | Plug-Choke shaft bore             | 2               |
| 24          | 55062A      | Bushing-Body                      | 2               |
| 25          | 104728      | Screw-Lever pin                   | 1               |
| 26          | 104305      | Pin-Lever                         | 1               |
| 27          | 84317       | Lever-Inlet                       | 1               |
| 28          | 57172       | Spring-Lever                      | 1               |
| 29          | 83753       | Needle-Inlet valve                | 1               |
| 30          | 84942       | Screw-Circuit plate               | 1               |
| 31          | 84938       | Plate-Circuit                     | 1               |
| 32          | 84944       | Diaphragm-Check valve             | 1               |
| 33          | 84945       | Gasket- Circuit plate             | 1               |
| 34          | 84946       | Gasket-Circuit plate              | 1               |

# ENGINES & PARTS

## MC93 Kart Engine

| Item No. | Part Number | Description                        | Units Per Assy. |
|----------|-------------|------------------------------------|-----------------|
| 1        | 110655      | Nut - Hex 7/16-20                  | 1               |
| 2        | 68280       | Flywheel Assy.                     | 1               |
| 3        | 100106      | Key - Woodruff                     | 1               |
| 4        | 110713      | Screw - Skt hd<br>10-24 x 3/4      | 3               |
| 5        | 24236       | Washer - Special                   | 3               |
| 6        | 110713      | Screw - Skt hd<br>10-24 x 7/8      | 1               |
| 7        | 50671       | Retainer - Breaker Box<br>Cover    | 1               |
| 8        | 50588A      | Cover - Breaker Box                | 1               |
| 9        | 65584       | Gasket - Breaker Box               | 1               |
| 10       | 55494       | Screw - Assy - Sealing             | 2               |
| 11       | 55492       | Washer - Sealing                   | 2               |
| 12       | 100251      | Nut - Hex 8-32                     | 1               |
| 13       | 100057      | Lockwasher - #8                    | 1               |
| 14       | 50381A      | Insulator - Breaker<br>Terminal    | 1               |
| 15       | 110338      | Screw                              | 1               |
| 16       | 88806       | Breaker Assy                       | 1               |
| 17       | 110338      | Screw                              | 1               |
| 18       | 85358       | Condenser                          | 1               |
| 19       | 50664       | Felt - Breaker Box                 | 1               |
| 20       | 57126A      | Cover - Crankcase                  | 1               |
| 21       | 101326      | Nut - Hex 10-24                    | 2               |
| 22       | 89335       | Seal - Oil                         | 1               |
| 23       | 104523      | O Ring                             | 1               |
| 24       | 100824      | Bearing - Ball                     | 2               |
| 25       | 86113       | Locknut - Hex<br>3/8-24 (LH)       | 1               |
| 27       | 110713      | Screw - Skt hd<br>10-24 x 7/8      | 2               |
| 28       | 83745       | Washer - Special                   | 2               |
| 29       | 86413       | Coil & Lamination<br>Assy          | 1               |
| 30       | 50120       | Wire Assy - Sparkplug              | 1               |
| 31       | 55061       | Connector                          | 1               |
| 32       | 55060       | Boot                               | 1               |
| 33       | 101883      | Wire Assy - Ground                 | 1               |
| 34       | 57225       | Wire Assy - Primary                | 1               |
| 35       | 86131       | Wire Assy - Kill Switch            | 1               |
| 36       | 84536       | Sparkplug - 14 mm -<br>0.472 reach | 1               |
| 37       | 104534      | Screw - Skt hd<br>10-24 x 1-13/32  | 6               |
| 38       | 24236       | Washer - Special                   | 6               |
| 39       | 89743       | Head - Cylinder                    | 1               |
| 40       | 68898       | Piston Assy                        | 1               |
| 41       | 104519      | Bearing - Needle                   | 2               |
| 42       | 47767       | Ring Set - Piston,<br>2.165 Chrome | 1               |
| 43       | 47903       | Connecting Rod Assy                | 1               |
| 44       | 60210A      | Screw - Skt hd spcl                | 2               |
| 45       | 69891X      | Roller - Needle                    | 24              |
| 46       | 69408       | Pin - Piston                       | 1               |
| 47       | 91085A      | Crankshaft                         | 1               |
| 48       | 92909       | Crankcase Assy                     | 1               |
| 49       | 104432      | Seal - Oil                         | 1               |
| 50       | 18556A      | Retainer - Nut                     | 4               |
| 51       | 101143      | Nut - Hex 1/4-20                   | 4               |
| 52       | 28053       | Retainer - Nut                     | 2               |
| 53       | 57063       | Retainer - Nut                     | 4               |
| 54       | 104255      | Retainer - Nut                     | 2               |
| 55       | 101326      | Nut - Hex 10-24                    | 8               |
| 56       | 110685      | Plug - Cup                         | 3               |
| 58       | 65577       | Gasket - Cylinder hd               | 1               |

Figure 3. Powerhead Assembly



### ACCESSORIES

|       |                                  |        |                                 |
|-------|----------------------------------|--------|---------------------------------|
| 68899 | Piston Assy, 2.170               | 89134  | Ring Set - Piston, Steel, 2.185 |
| 68897 | Piston Assy, 2.175               | 89135  | Ring Set - Piston, Steel, 2.195 |
| 87940 | Piston Assy, 2.185               | 90390  | Rod Assy - Con, Shot Peened     |
| 87938 | Piston Assy, 2.195               | 84498  | Head - Cyl, high compression    |
| 66790 | Ring Set - Piston, Chrome, 2.170 | 88137  | Manifold Assy - Sloper          |
| 47768 | Ring Set - Piston, Chrome, 2.175 | 86356  | Kit - Carburetor Choke          |
| 87935 | Ring Set - Piston, Chrome, 2.185 | 86419  | Guide - Timing                  |
| 87934 | Ring Set - Piston, Chrome, 2.195 | 48711D | Kit - Rewind Starter            |
| 89286 | Ring Set - Piston, Steel, 2.165  | 83205  | Kit - Piston Pin & Bearing Tool |
| 89132 | Ring Set - Piston, Steel, 2.170  | 85205  | Manual - Kart Engine            |
| 89133 | Ring Set - Piston, Steel, 2.175  |        |                                 |