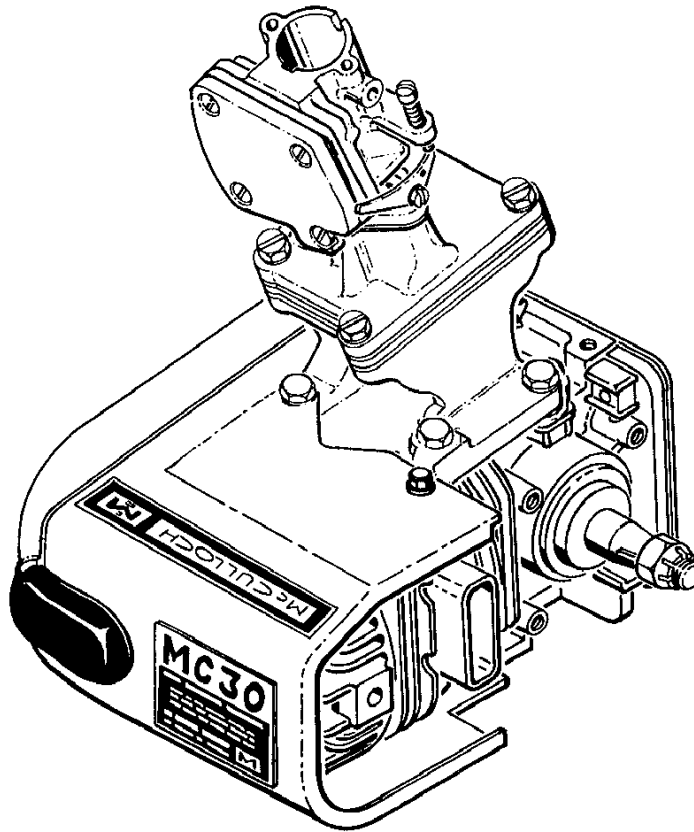


Kart Engine

MC30

ILLUSTRATED PARTS LIST

FEBRUARY 1962



The following pages contain an illustrated parts list for the MC30 Kart Engine. Due to small differences between engines, it is important that the Serial Number of your Kart Engine be included whenever spare parts are ordered. This will assure receiving the proper parts from your dealer.

	Page
Figure 1. Engine Assembly, Model MC30 Engine	2
Figure 2. McCulloch Carburetor Assembly	4
Figure 3. Powerhead Assembly	6



McCULLOCH CORPORATION
 8101 West Century Boulevard,
 Los Angeles 45, California

MC30

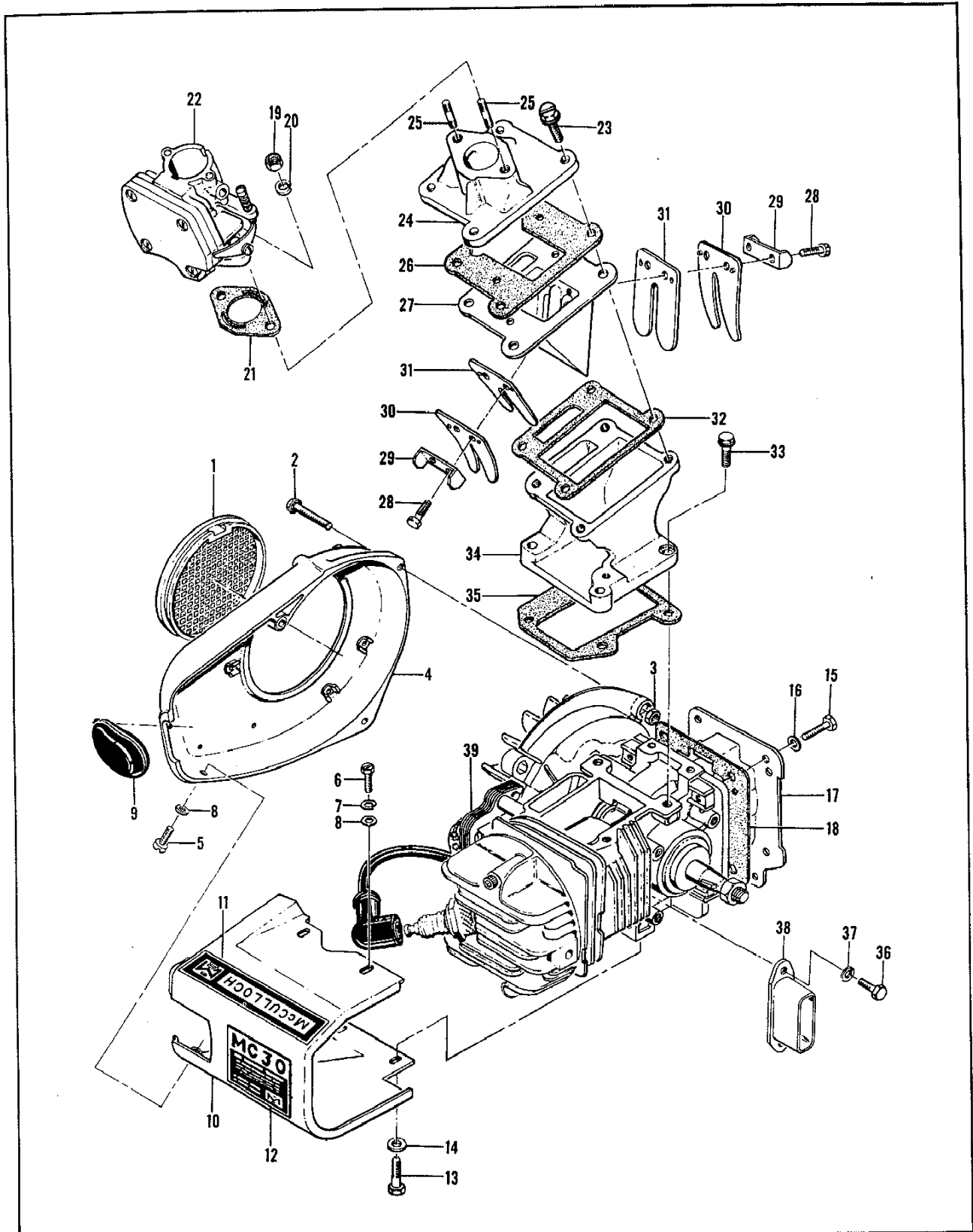


Figure 1. Engine Assembly, Model MC30 Engine

MC30

FIGURE 1. ENGINE ASSEMBLY, MODEL MC30 ENGINE

Index No.	Part Number	Nomenclature	Units Per Assy
1	55615	Guard	1
2	104503	Screw - 10-24 x 1-1/4 in. lg (SEMS)	3
3	101191	Nut - Hex 10-24	2
4	48864	Housing - Fan	1
5	104393	Screw - Pan hd 10-24 x 3/8 in. lg	1
6	102762	Screw - Hex hd 10-24 x 1/2 in. lg	1
7	101194	Washer - Lock	1
8	100002	Washer - No. 10	2
9	48936	Cover Assembly - Spark plug	1
10	48590	Shroud, Cylinder	1
11	48588	. Nameplate	1
12	48589	. Nameplate	1
13	100732	Screw - Hex hd 1/4-20 x 5/8 in. lg	2
14	100005	Washer	2
15	102128	Screw - Hex hd 1/4-20 x 3/4 in. lg	4
16	100311	Washer	4
17	58139A	Bottom - Crankcase	1
18	48909	Gasket - Crankcase Bottom	1
19	100249	Nut - Hex 1/4-28	2
20	100153	Washer - Lock 1/4 in.	2
21	55252B	Gasket - Carburetor	1
22		Carburetor Assy (See Figure 2)	1
23	104854	Screw - 10-24 x 3/4 in. lg (SEMS)	4
24	48507	Adapter Assy - Carburetor	1
25	48611	. Stud - Carburetor	2
26	48512	Gasket - Adapter-to-block	1
27	48515	Block Assy - Reed valve	1
28	104476	. Screw - Hex hd 8-32 x 5/16 in. lg	4
29	51480	. Plate - Lock	2
30	48591	. Guard - Reed valve	2
31	48540	. Valve - Reed	2
32	48519	Gasket - Block-to-manifold	1
33	104854	Screw - 10-24 x 3/4 in. lg (SEMS)	4
34	48511	Body - Manifold	1
35	48516	Gasket - Manifold-to-crankcase	1
36	102388	Screw - Hex hd 10-24 x 5/8 in. lg	2
37	103100	Washer - Lock	2
38	48609	Header - Exhaust	1
39		Powerhead Assy (See Figure 3)	1

MC30

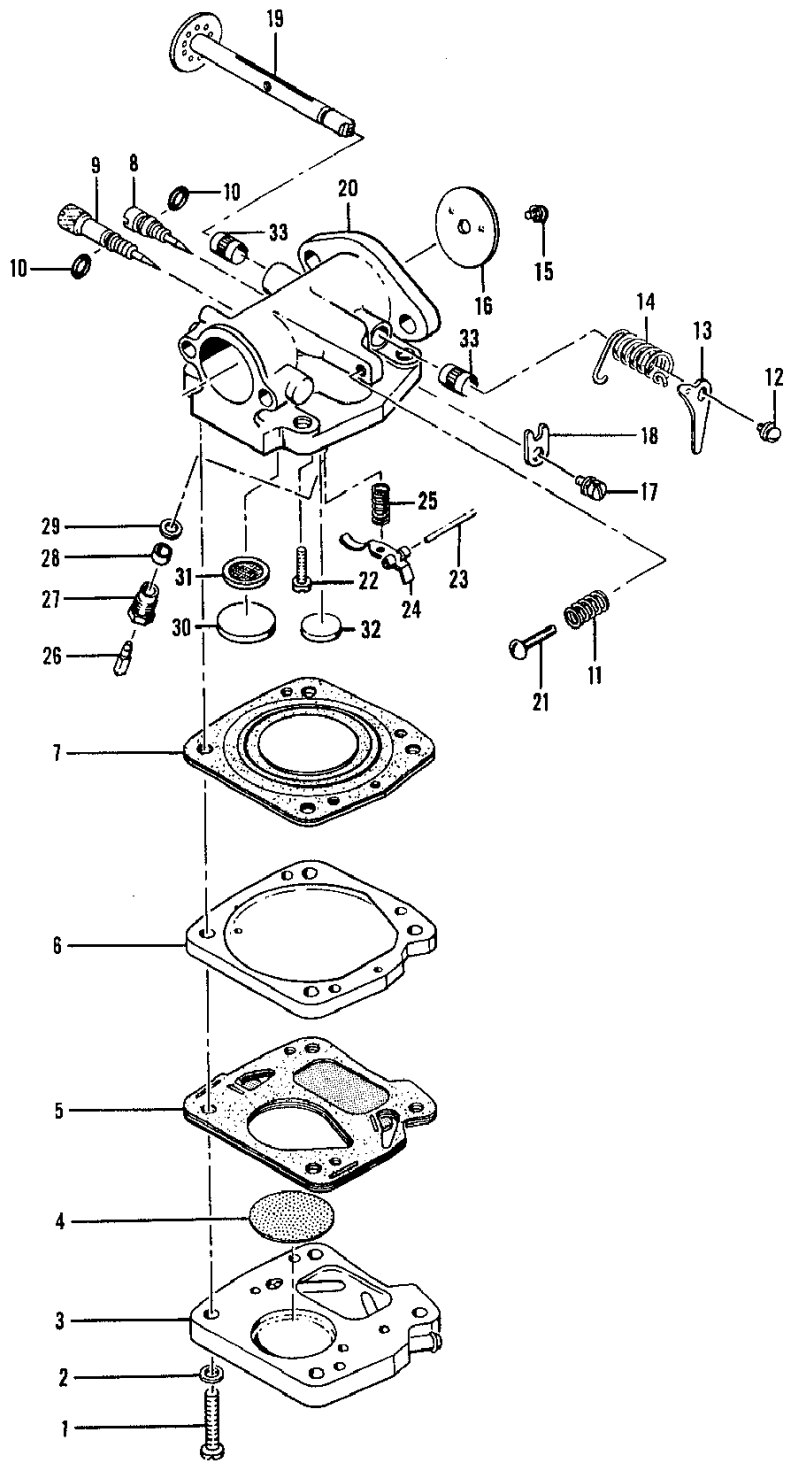


Figure 2. McCulloch Carburetor Assembly

MC30

FIGURE 2. McCULLOCH CARBURETOR ASSEMBLY

Index No.	Part Number	Nomenclature	Units Per Assy
	48890	McCulloch Carburetor and Fuel Pump Assy	1
1	104520	. Screw - Pan hd 10-24 x 7/8 in. lg	4
2	100002	. Washer - Plain #10	4
3	48897	. Body Assy - Fuel pump	1
4	48911	. Filter - Fuel pump	1
5	57274A	. Diaphragm - Fuel pump	1
6	48901	. Plate - Carburetor diaphragm	1
7	55067B	. Diaphragm	1
8	55090	. Needle - Metering	1
9	48810	. Needle - Metering main	1
10	104001	. "O" Ring	2
11	51705	. Spring - Idle screw	1
12	104814	. Screw - Pan hd 4-40 x 1/4 in. lg (SEMS)	1
13	50701A	. Arm - Throttle shaft	1
14	48820	. Spring - Throttle return	1
15	104814	. Screw - Pan hd 4-40 x 1/4 in. lg (SEMS)	1
16	55085	. Plate - Throttle	1
17	104570	. Screw - Fil hd 8-32 x 1/4 in. lg (SEMS)	1
18	55082	. Clip - Throttle shaft	1
19	48818A	. Shaft - Throttle assy	1
20	48907	. Carburetor Body assy	1
21	55397	. Screw - Idle	1
22	104164	. Screw - Pan hd 4-40 x 1/4 in. lg	1
23	104305	. Pin - Inlet lever	1
24	55688	. Lever - Inlet control	1
25	57172	. Spring - Inlet lever	1
26	55476	. Valve - Needle	1
27	55475	. Body - Needle	1
28	55474	. Seat - Needle	1
29	55689	. Washer - Valve	1
30	104407	. Plug - Expansion	1
31	55690B	. Seal - Capillary	1
32	102758	. Plug - Expansion	1
33	55062A	. Bushing - Carburetor body	2

MC30

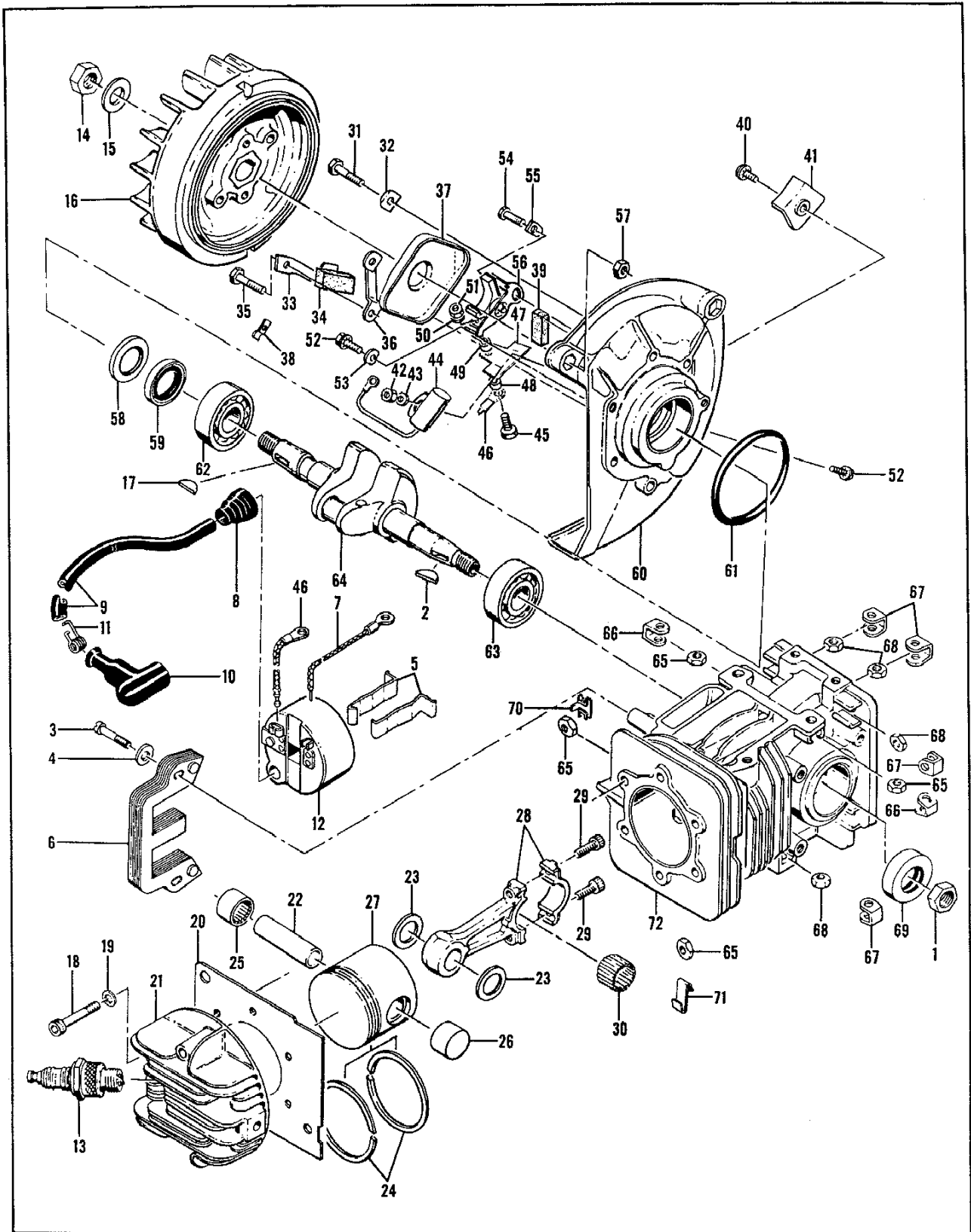


Figure 3. Powerhead Assembly

MC30

FIGURE 3. POWERHEAD ASSEMBLY

Index No.	Part Number	Nomenclature	Units Per Assy
1	103746	Nut - Hex 3/8-24	1
2	103879	Key - Woodruff	1
3	101965	Screw - Fil hd 10-24 x 7/8 in. lg	2
4	100003	Washer	2
5	51253	Retainer - Coil	2
6	51251	Lamination Assy - Coil	1
	55949A	Coil and Terminal Assy	1
7	101883	. Wire Assy - Ground	1
8	55617	. Nipple - Spark plug wire	1
9	52547	. Wire Assy - Spark plug	1
10	55060	. . Boot - Spark plug	1
11	55061	. . Connector - Spark plug wire	1
12		. Coil Assy	1
13		. Spark Plug - 14mm	1
14	101179	Nut - Hex 7/16	1
15	101270	Washer - Special	1
16	48785A	Flywheel Assy	1
17	103879	Key - Woodruff	1
18	104534	Screw - Socket hd 10-24 x 1-13/32 in. lg	6
19	24236	Washer	6
20	48742A	Gasket - Cylinder head	1
21	48903	Head - Cylinder	1
22	58132	Pin - Piston	1
23	51209	Washer - Thrust	2
	48518	Piston Assy	1
24	48978	. Ring Set - Piston	1
25	101206	. Bearing - Needle	1
26	104378	. Bearing - Needle (closed end)	1
27		. Piston	1
28	48905	Connecting Rod Assy	1
29	104589	. Screw - Socket hd 10-32 x 9/16 in. lg	2
30	102742	. Roller - Needle	24
31	102763	Screw - Hex hd 10-24 x 3/4 in. lg	2
32	36388	Plate - Lock	2
33	57815	Strap - Seal	1
34	50664	Seal - Breaker box drain	1
35	102763	Screw - Hex hd 10-24 x 3/4 in. lg	4
36	55977	Clip - Breaker box cover	1
37	55766B	Cover - Breaker box	1
	57768A	Crankcase Cover Assy	1
38	104230	. Speednut	1
39	54184	. Wiper - Felt	1
40	103061	. Screw - 8-32 x 3/8 in. lg (SEMS)	1
41	57829	. Clamp - Ignition Wire	1
42	100955	. Nut - Hex 8-32	1
43	100080	. Washer - Plain #8	1
44	50074	. Condenser	1
45	103748	. Screw - Hex hd 8-32 x 1/2 in. lg	1
46	57766	. Wire Assy - Primary	1
47	55782	. Insulator	1
48	57769	. Insulator - Ignition screw	1
49	57770A	. Insulator - Breaker spring	1
50	104553	. Washer - Lock #8	1
51	104551	. Nut - Hex 8-32	1
52	104733	. Screw - 8-32 x 1/2 in. lg (SEMS)	2
53	55778C	. Washer - Special	1
54	104733	. Screw - 8-32 x 1/2 in. lg (SEMS)	1
55	57767A	. Lockplate	1
56	57765A	. Breaker Assy	1
57	101326	. Nut - Hex 10-24	1
58	57898	. Seal - Oil	1
59	57897	. Seal - Oil	1
60		. Cover - Crankcase	1

MC30

FIGURE 3. POWERHEAD ASSEMBLY (CONT)

Index No.	Part Number	Nomenclature	Units Per Assy
61	104523	"O" Ring	1
62	100824	Bearing - Ball	1
63	104490	Bearing - Ball	1
64	58128	Crankshaft	1
	48992	Cylinder and Crankcase Assy	1
65	101326	. Nut - Hex 10-24	8
66	28053	. Retainer - Nut	2
67	18556A	. Retainer - Nut	6
68	101143	. Nut - Hex 10-24	6
69	104486	. Seal - Oil	1
70	104255	. Retainer - Nut	2
71	57063	. Retainer - Nut	4
72		. Cylinder and Crankcase (Order Cylinder and Crankcase Assy #48992)	1